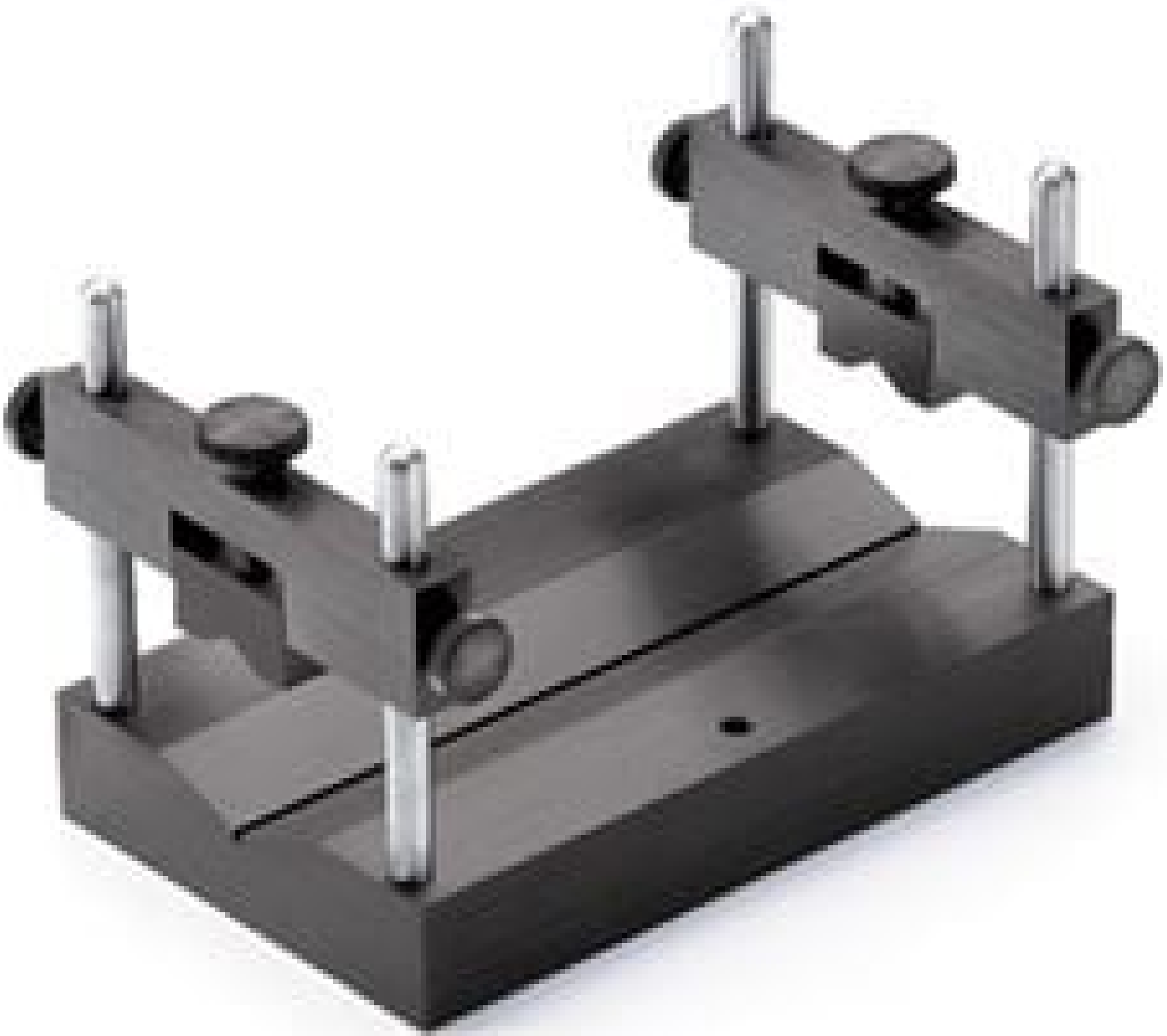


## V-Block Base with Clamps



Stock #03-665 **9 In Stock**

- 1 + \$427<sup>00</sup>

**ADD TO CART**

### Volume Pricing

Qty 1-4	<b>\$427.00</b> each
Qty 5-9	<b>\$377.72</b> each
Qty 10-49	<b>\$347.90</b> each
Need More?	<a href="#">Request Quote</a>

### Product Downloads

#### General

Fixed **Type:**

Cylindrical Tube **Type of Optics:**

#### Physical & Mechanical Properties

**Construction:**  
Black Anodized Aluminum, Stainless Steel Post

Number of Clamps:

2

## Threading & Mounting

Size of Compatible Optics (mm):

5.6 - 67.9

Compatible Post:

1/4-20

## Regulatory Compliance

RoHS 2015:

Compliant

Reach 224:

Compliant

Certificate of Conformance:

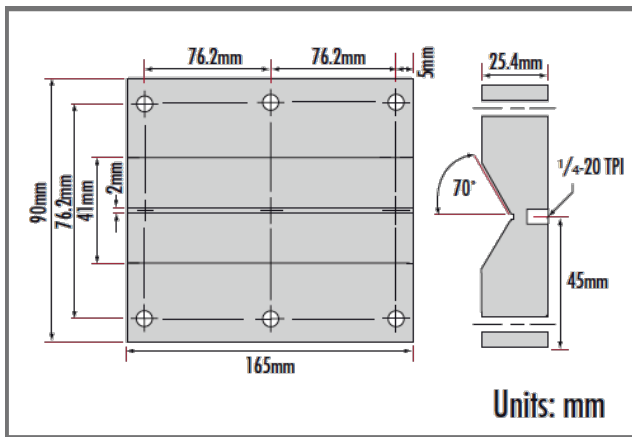
[View](#)

## Product Details

- Adjustable Height Bar Clamp Included with [#03-665](#)
- Ideal for Mounting Laser Tubes and Large Optical Elements
- 1/4-20 Tap Hole Allows Mounting to 0.50" Diameter Post

Our V-Block base is ideal for mounting laser tubes and optical elements thick enough to stand vertically on edge (such as most achromats). The six 1/4-20 tap holes around the base are designed to accept clamp posts, but may also be used to mount the V-Block. A 1/4-20 tap hole in the center of the base allows mounting to any 0.50" diameter post. Adjustable height bar-type clamp secures components in the V-Block.

## Technical Information



V-Block Base