

## Tilt Stage Metric in Two Axes



Stock #55-459 **5 In Stock**

⊖ 1 ⊕ S\$534.<sup>00</sup>

**ADD TO CART**

### Volume Pricing

Qty 1-9	S\$534.80 each
Qty 10+	S\$472.08 each
Need More?	<a href="#">Request Quote</a>

### Product Downloads

### General

Metric **Type:**

### Physical & Mechanical Properties

Tip-Tilt **Type of Movement:**

60 x 60 **Stage Size (mm):**

±2.5 **Travel (°):**

M16 x 1	<b>Center Hole:</b>
Aluminium Stage	<b>Construction:</b>
0.25	<b>Leadscrew Pitch (mm):</b>
3	<b>Load Capacity (kg):</b>
0.22	<b>Weight (kg):</b>

## Hardware & Interface Connectivity

Fine Screw (100 Pitch)	<b>Type of Drive:</b>
------------------------	-----------------------

## Threading & Mounting

(1) M16 x 1, (2) M6 x 1, (4) M4 x 0.7	<b>Mounting Threads:</b>
---------------------------------------	--------------------------

## Regulatory Compliance

<a href="#">Exempt</a>	<b>RoHS 2015:</b>
<a href="#">View</a>	<b>Certificate of Conformance:</b>
<a href="#">Contains SVHC(s)</a>	<b>Reach 247:</b>

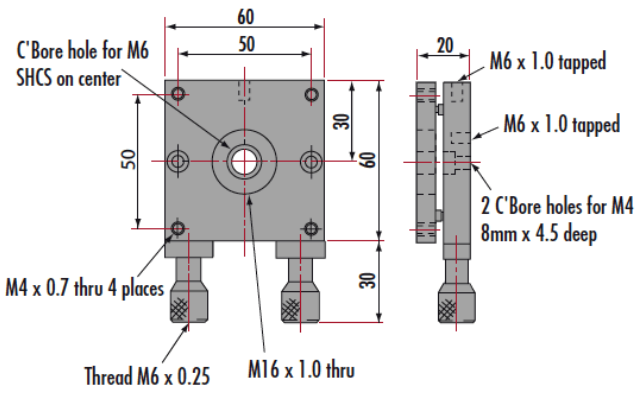
## Product Details

- Tilt Control in Two Axes ( $\pm 2.5^\circ$ )
- Multiple Tapped and C'bored Holes for Easy Mounting
- Black Anodized Aluminum

Ideal for tilt control of both optics and mounting posts. Platform top plate has 4 M4 tapped holes at each corner (on 50mm centers) and one M16 tapped hole on center. Platform bottom plate has 2 counterbore holes for M4 SHCS, one M6 SHCS (on center) counterbore hole for mounting to our [Metric Breadboards and Base Plates](#), and one M6 tapped hole for mounting to our [Metric Stainless Steel Mounting Posts](#). Platform also features one M6 tapped hole for mounting vertically. Stage includes two M4 stainless steel socket head cap screws.

Compatible with the following stages: [#54-687](#), [#55-032](#), [#55-459](#), [#55-527](#), [#55-840](#), [#55-841](#), [#56-335](#), and [#56-336](#).

## Technical Information



Units: mm