

TECHSPEC® 27mm Diameter, T-Mount Thin Optic Mount



Stock #53-861 **2 In Stock**

⊖ 1 ⊕ **S\$100⁰⁰**

ADD TO CART

Volume Pricing	
Qty 1-4	S\$100.80 each
Qty 5-9	S\$89.74 each
Qty 10-25	S\$83.02 each
Need More?	Request Quote

Product Downloads

General

Function:
Optic Mount (Fixed)

Type of Optics:
Circular

Physical & Mechanical Properties

11.5	Extension Length (mm):
14.95	Total Length (mm):
2.0	Min. Thickness of Compatible Optics (mm):
5.5	Max. Thickness of Compatible Optics (mm):
24.0	Clear Aperture CA (mm):
Black Anodized Aluminum (6061 T6)	Construction:
48.0	Outer Diameter (mm):
27.0	Diameter of Compatible Reticle (mm):

Threading & Mounting

T-Mount	Thread Type:
27.0	Diameter of Compatible Optics (mm):

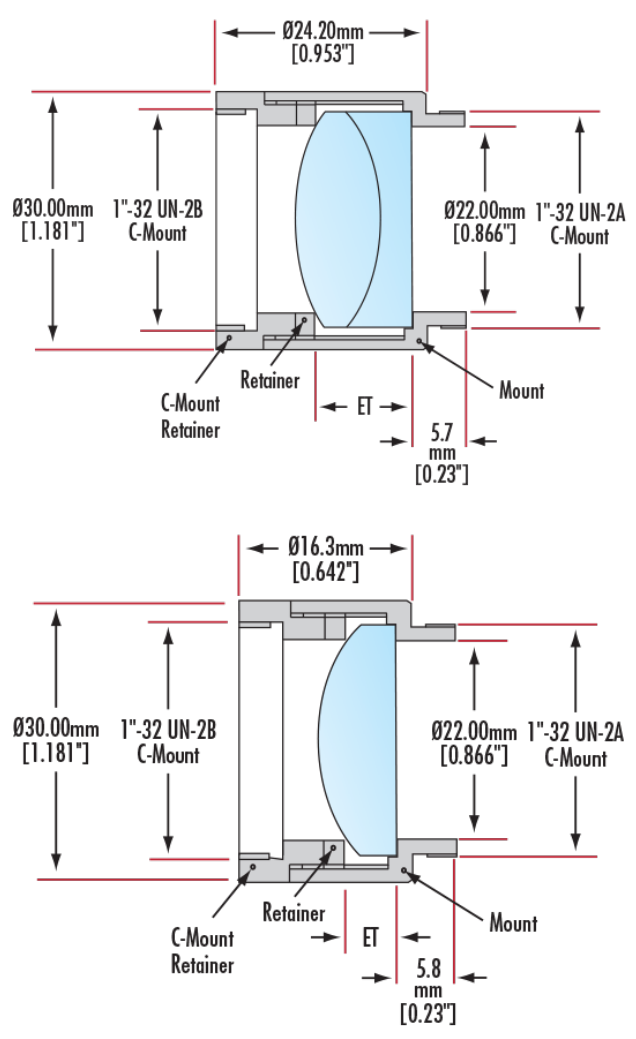
Regulatory Compliance

Compliant	RoHS 2015:
View	Certificate of Conformance:
Compliant	REACH 241:

Product Details

- Mounts for Simple Lenses, Achromats, Filters, or Reticles
 - Designed to Integrate with Any C, S, or T-Mount Components
 - Optic is Held in Place with Included Retaining Ring
- TECHSPEC® C, S, and T-Mount Circular Optic Mounts are designed to mount a variety of circular optical components into C, S, or T-Mount compatible systems. An included threaded retainer ring, designed to accept a standard spanner wrench, securely holds the optical component. These circular optic mounts are compatible with a wide variety of Edmund Optics optomechanical components utilizing C, S, or T-Mount threads, such as [extension tubes](#) and [kinematic mounts](#). TECHSPEC® C, S, and T-Mount Circular Optic Mounts are threaded for 1" x 32TPI, M12 x 0.5, or M42 x 0.75 mounting, with 30mm, 16mm, and 48mm outer diameters, respectively. These mounts are ideal for creating and personalization of a diverse range of optical systems.
- Note:** #56-353, #56-354, #52-933, and #52-292 are all 3-part assemblies

Technical Information





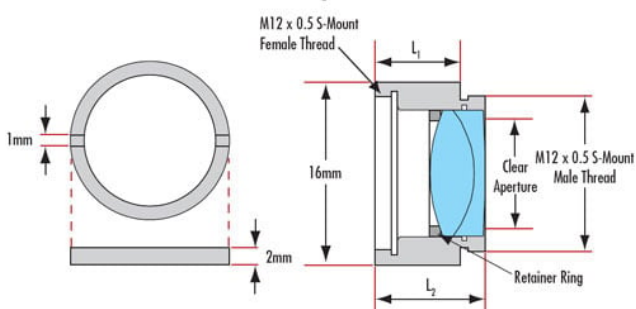
S-Thread Simple / Thin Lens Mount



S-Thread Simple /Thin Lens Mount



S-Thread Achromat / Thick Lens Mount





#58-741

