

[See all 15 Products in Family](#)

Standard C-Mount Male T-Mount Female Step-Up Adapter

See More by [Infinity Photo-Optical Company](#)



Standard T-Mount to C-Mount Adapter, #88-956

Stock **#88-956** **4 In Stock**

1 **S\$87^{.50}**

ADD TO CART

Volume Pricing

Qty 1-4	S\$87.50 each
Qty 5-9	S\$77.98 each
Qty 10-25	S\$72.10 each
Need More?	Request Quote

Product Downloads

General

Thread Adapter **Type:**

Physical & Mechanical Properties

40.8 **Total Length (mm):**

Extension Length (mm):

Threading & Mounting

Male C-Mount to Female T-Mount

Thread Type:

Regulatory Compliance

Compliant

RoHS 2015:

Compliant

Reach 224:

[View](#)

Certificate of Conformance:

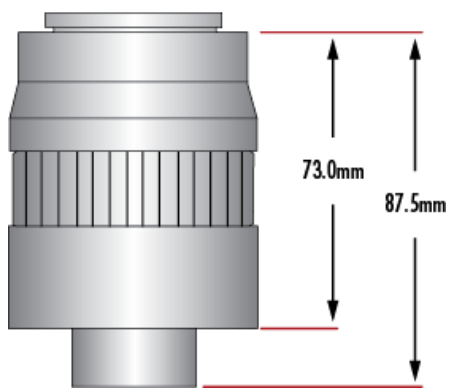
Product Details

- Enable Dynamic Optical Focusing and Reduce Spherical Aberration
- Compatible With All Infinity Corrected Objectives
- Color Matched for Major Brand Objectives

InFocus™ Dynamic Optical Focusing Systems are used with microscopes to enable dynamic optical focusing, and drastically reduce the spherical aberration caused by the sample's cover glass thickness or suspension fluid. These dynamic optical focusing systems eliminate the need for correction collars and expensive motorized computer activation. InFocus™ Dynamic Optical Focusing Systems allows micromanipulation of the microscope, and can be integrated with any infinity corrected objectives. Variations in magnification are minimal over the range of focal translation. InFocus™ Dynamic Optical Focusing System modules are color corrected for Mitutoyo, Achrovid, Zeiss, Leica, Nikon, or Olympus objectives and can be connected to most major brand microscopes using a series of stand adapters (sold separately).

Technical Information

#33-137 &
#33-138



#33-139

