

[See all 12 Products in Family](#)

Standard Attachment Measurement Probe

See More by [Nikon](#)



Nikon DIGIMCRO Digital Length Measuring System



Stock #29-238 [CONTACT US](#)

- 1 + S\$82.⁰⁰

ADD TO CART

Volume Pricing

Qty 1+	S\$82.60 each
Need More?	Request Quote

Product Downloads

General

Measurement Probe **Type:**

Nikon **Manufacturer:**

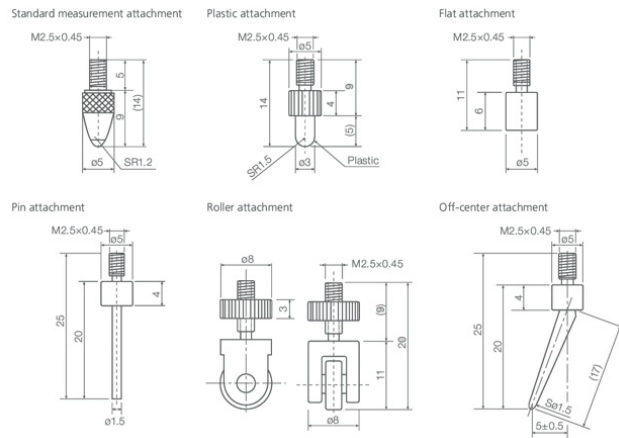
Regulatory Compliance

Product Details

- 1µm Accuracy (at 20°C) and Measurement Length of 0 - 50mm
- 500mm/sec Maximum Response Speed
- Granite Platform Stand and 6 Measuring Probe Tips Available

The Nikon DIGIMICRO Digital Length Measuring System features a built-in, photoelectric, digital linear scale to provide precise contact-based thickness, depth, and height measurements of industrial materials. This measuring system has a 0 – 50mm measuring range and a 0.1µm minimum readable value at an accuracy of 1µm (at 20°C) with a response speed of 500mm/sec. The measurement head has 6 measuring probe tip options such as the standard, pin, plastic, off-center, flat, and roller tips for measurements of various materials. The Nikon DIGIMICRO Digital Length Measuring System is equipped with the MFC-200 Digital Counter for display and resolution switching, direction switching, and display unit switching functions. This measuring system is ideal industrial metrology applications requiring extreme precision and accuracy.

Technical Information



PID4485_Measurement_Probes