

[See all 3 Products in Family](#)

TECHSPEC® S-Mount Iris Diaphragm Mount



TECHSPEC® S-Mount Iris Diaphragm Barrel

Stock **#11-151** **3 In Stock**

⊖ 1 ⊕ **S\$316⁰⁰**

ADD TO CART

| Volume Pricing | |
|----------------|-------------------------------|
| Qty 1-4 | S\$316.40 each |
| Qty 5-9 | S\$279.16 each |
| Qty 10-25 | S\$257.60 each |
| Need More? | Request Quote |

Product Downloads

General

Iris Diaphragm **Function:**

Physical & Mechanical Properties

12.0 **Extension Length (mm):**

15.0 **Total Length (mm):**

0.7 - 5.0 Clear Aperture CA (mm):

17.0 Outer Diameter (mm):

Threading & Mounting

S-Mount Thread Type:

Regulatory Compliance

Compliant RoHS 2015:

Compliant Reach 219:

View Certificate of Conformance:

Product Details

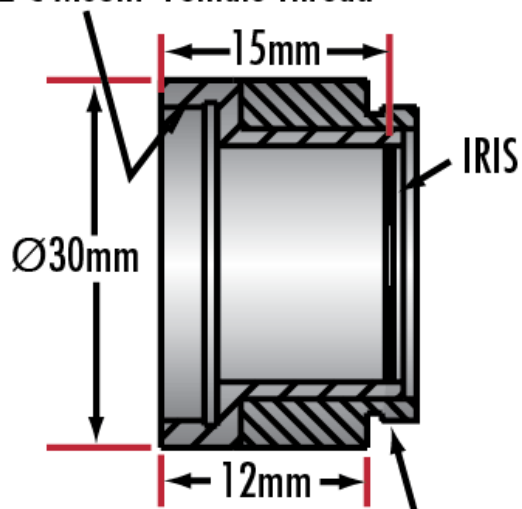
- Variable Apertures for C, S, and T-Mount Systems
- Male and Female Thread at Opposite Ends for Easy Integration
- Adjusted via Rotating Ring or Lever for Precision Control

TECHSPEC® C, S, and T-Mount Iris Diaphragm Mounts feature iris diaphragms that allow for precision control over the internal aperture within a system. Using male and female threads, these mounts can be placed anywhere within a C, S, or T-Mount system. The apertures can be adjusted via a rotating ring for the C-Mount version, with a 4mm lever for the S-Mount version and with a 5mm lever for the T-Mount version. TECHSPEC C, S, and T-Mount Iris Diaphragm Mounts add 12mm, 12mm, and 18mm to the system length, respectively. These mounts are ideal for providing control over the $f\#$, field stop diameter, and overall energy throughput of a C, S, or T-Mount system.

NOTE: The iris planes sit approximately 15mm, 8mm, and 12mm from the female ends of the TECHSPEC C, S, and T-Mount Iris Diaphragm Mounts, respectively.

Technical Information

1 - 32 C-Mount Female Thread



1 - 32 C-Mount Male Thread

