

[See all 12 Products in Family](#)

## Roller Attachment Measuring Probe

See More by [Nikon](#)



Roller Attachment Measuring Probe

Stock **#29-239** [CONTACT US](#)

⊖ 1 ⊕ **S\$204<sup>.40</sup>**

**ADD TO CART**

### Volume Pricing

|            |                               |
|------------|-------------------------------|
| Qty 1+     | S\$204.40 each                |
| Need More? | <a href="#">Request Quote</a> |

### Product Downloads

### General

Measurement Probe **Type:**

Nikon **Manufacturer:**

### Regulatory Compliance

[View](#) **Certificate of Conformance:**

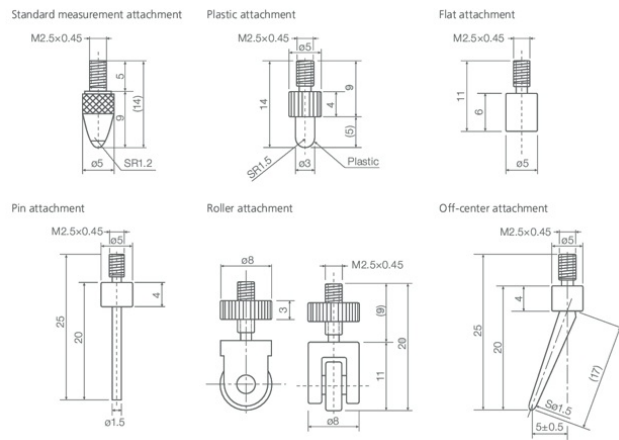
**REACH 241:**

## Product Details

- 1µm Accuracy (at 20°C) and Measurement Length of 0 - 50mm
- 500mm/sec Maximum Response Speed
- Granite Platform Stand and 6 Measuring Probe Tips Available

The Nikon DIGIMCRO Digital Length Measuring System features a built-in, photoelectric, digital linear scale to provide precise contact-based thickness, depth, and height measurements of industrial materials. This measuring system has a 0 – 50mm measuring range and a 0.1µm minimum readable value at an accuracy of 1µm (at 20°C) with a response speed of 500mm/sec. The measurement head has 6 measuring probe tip options such as the standard, pin, plastic, off-center, flat, and roller tips for measurements of various materials. The Nikon DIGIMCRO Digital Length Measuring System is equipped with the MFC-200 Digital Counter for display and resolution switching, direction switching, and display unit switching functions. This measuring system is ideal industrial metrology applications requiring extreme precision and accuracy.

## Technical Information



PID4485\_Measurement\_Probes