

Replacement Glass Stage for #85-347



#12-637: Universal Breadboard Adapter for 1/4" Posts



Stock #43-727 CLEARANCE **20+ In Stock**

\$15³³

ADD TO CART

Volume Pricing	
Qty 1+	\$15.33 each
Need More?	Request Quote

Product Downloads

General

Imaging System Base Type:

Regulatory Compliance

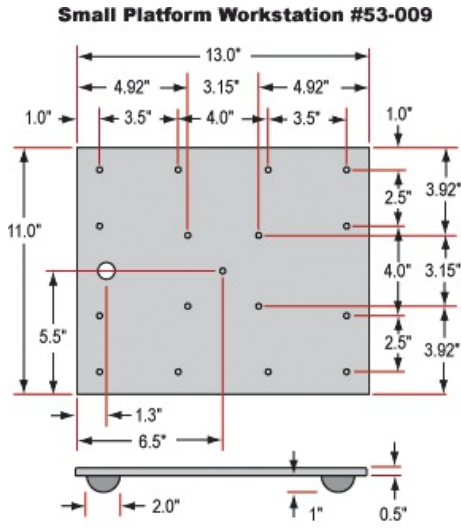
Certificate of Conformance: [View](#)

Product Details

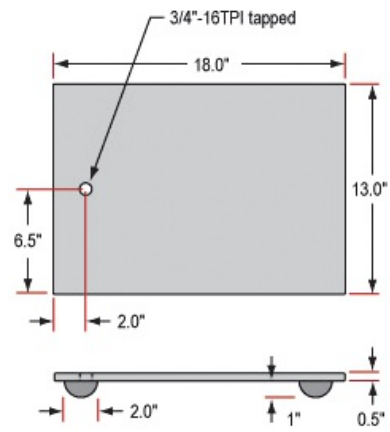
- Variety of Bases Available
- Stand-Alone or Benchtop Compatible Bases
- Designed for Use with 0.75" [Stainless Steel Posts](#)
- [Rack and Pinion Focusing Mounts](#), and [Accessories](#) also Available

Imaging System Bases are designed to construct imaging systems utilizing our 0.75" (19.05mm) diameter, 16 TPI mounting posts. The Large Workstation Platform and Small Platform Base feature sorbothane feet to minimize vibration. The Circular Base is weighted for added stability. The Universal Breadboard Adapter for 3/4" Posts features slots that allow for mounting to both metric and English [optical tables and breadboards](#). Imaging System Bases are available for a variety of system mounting and construction needs.

Technical Information



Large Platform Workstation #39-346



#54-262 Breadboard Adapter

