

TECHSPEC® Replacement 2X - 3X Adapter for #88-387



#89-409: Replacement 2X - 3X Adapter for #88-387



Stock **#89-409** **8 In Stock**

1 **S\$80^{.50}**

ADD TO CART

| Volume Pricing | |
|----------------|-------------------------------|
| Qty 1+ | S\$80.50 each |
| Need More? | Request Quote |

Product Downloads

General

Lens Accessory **Type:**

Regulatory Compliance

[View](#) **Certificate of Conformance:**

Product Details

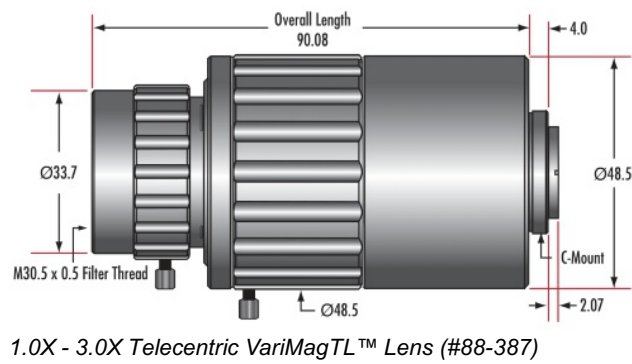
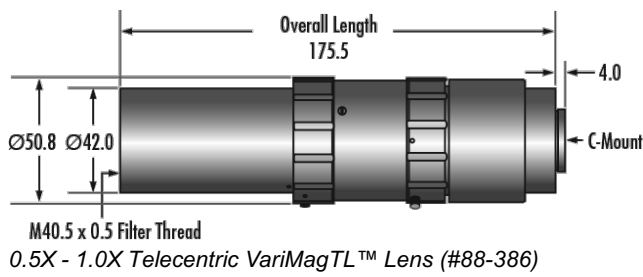
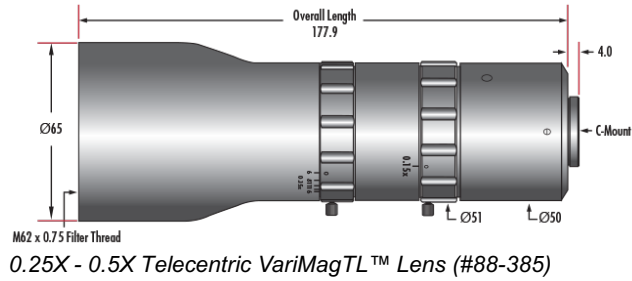
- Variable Magnification Telecentric Lens
- Up to 5 MegaPixels, 3.45µm Pixel Size Sensors
- 2/3", C-Mount Telecentric Lens
- Magnification from 0.15X to 3X

TECHSPEC® VariMagTL™ Telecentric Lenses are designed for applications that may require constant adjustment of a system's field of view. Each lens provides a range of magnifications that users can adjust or lock down with a set screw. With coverage for up to 2/3" format sensors, these telecentric lenses feature compact, C-mount compatible designs for easy system integration. TECHSPEC VariMagTL™ Telecentric Lenses also include an adjustable iris to control light throughput and improve image quality. These lenses are ideal for use in semiconductor or electronics inspection and [factory automation](#) applications.

These lenses won the [Silver Level 2015 Innovators Award](#).

Note: Customized fixed versions are also available to meet volume requirements. Please contact [technical support](#) to discuss your specific requirements.

Technical Information



| 0.25X-0.50X Telecentric Lens, #88-385 | | | | | | |
|---------------------------------------|-------|-------|-------|-------|-------|-------|
| Magnification | 0.25X | 0.30X | 0.35X | 0.40X | 0.45X | 0.50X |
| Working Distance (mm) | 145 | 124.5 | 112 | 104 | 100.2 | 100.1 |
| Field of View (mm)* | 35.2 | 29.3 | 25.1 | 22 | 19.6 | 17.6 |
| 0.5X - 1.0X Telecentric Lens, #88-386 | | | | | | |
| Magnification | 0.5X | 0.6X | 0.7X | 0.8X | 0.9X | 1.0X |
| Working Distance (mm) | 115 | 106 | 102 | 100 | 100 | 100 |
| Field of View (mm)* | 17.6 | 14.67 | 12.6 | 11 | 9.78 | 8.8 |
| 1.0X - 3.0X Telecentric Lens, #88-387 | | | | | | |
| Magnification | 1.0X | 1.5X | 2.0X | 2.5X | 3.0X | |
| Working Distance (mm) | 71.6 | 61 | 55.6 | 52.4 | 50.3 | |
| Field of View (mm)* | 8.8 | 5.87 | 4.4 | 3.5 | 2.93 | |