

## Prism Mount



#53-030 + Cube Beamsplitter

Stock **#53-030** **20+ In Stock**

⊖ 1 ⊕ **S\$159<sup>00</sup>**

**ADD TO CART**

| Volume Pricing |                               |
|----------------|-------------------------------|
| Qty 1-4        | <b>S\$159.60</b> each         |
| Qty 5-9        | <b>S\$143.64</b> each         |
| Qty 10-49      | <b>S\$136.08</b> each         |
| Need More?     | <a href="#">Request Quote</a> |

### Product Downloads

#### General

Fixed **Type:**

Cube/Prism **Type of Optics:**

#### Physical & Mechanical Properties

3.00 **Outer Diameter (inches):**

Outer Diameter (mm):

76.2

**Construction:**

Black Anodized Aluminum with Steel Post and Delrin Clamp

**Threading & Mounting**

Size of Compatible Optics (mm):

50.0

Compatible Post:

1/4-20

**Regulatory Compliance**

RoHS 2015:

Compliant

Reach 224:

Compliant

Certificate of Conformance:

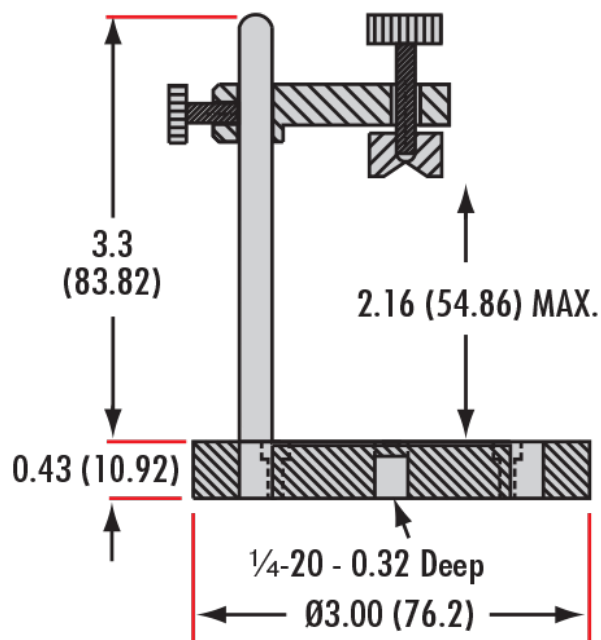
[View](#)

**Product Details**

- Easily Secure [Prisms](#) or [Cube Beamsplitters](#)
- Adjustable for Optics up to 55mm
- Rotary Version Offers Manual 360° Rotation

English Prism Mounts feature a steel post and anodized aluminum arm which eliminates obstructions in the optical path while still maintaining a secure position on the optic. Ideal for prisms and cube beamsplitters with a maximum height of 55mm, this prism mount features a V-cut clamp made of scratch resistant Delrin® to prevent damage to optics. The Prism Holder is also available as a complete assembly with the [Rotary Optic Mount](#), which allows smooth manual 360° rotation of the prism. English Prism Mounts have a locking knob that keep prisms securely positioned for increased repeatability.

**Technical Information**



53-030