

[See all 16 Products in Family](#)

## Olympus UPLFLN 60X (Oil Immersion) 0.65 - 1.25 NA Adjustable Iris Objective

See More by [Olympus](#)



Olympus UPLFLN 60X(Oil Immersion) 0.65 - 1.25 NA Adjustable Iris Objective

Stock #91-765 **NEW** [CONTACT US](#)

⊖ 1 ⊕ **S\$6,538<sup>00</sup>**

**ADD TO CART**

### Volume Pricing

Qty 1+	<b>S\$6,538.00</b> each
Need More?	<a href="#">Request Quote</a>

### Product Downloads

### General

**Model Number:**  
UPLFLN60XOI

**Compatible Tube Lens Focal Length (mm):**  
Focal Length: 180mm

**Type:**  
Microscope Objective

**Style:**  
Infinity Corrected

**Manufacturer:**

Olympus

Note:

Recommended Immersion Oil [#86-834](#)

## Physical & Mechanical Properties

0.44 Field of View (mm):

45.06 Length excluding Threads (mm):

30.5 Maximum Diameter (mm):

158 Weight (g):

Adjustable Iris Iris Option:

## Optical Properties

0.17 Compatible Cover Glass Thickness (mm):

3.00 Focal Length FL (mm):

60X Magnification:

1.25 Numerical Aperture NA:

0.42 - 0.22 Resolving Power ( $\mu\text{m}$ ):

0.12 Working Distance (mm):

380 - 900 Wavelength Range (nm):

26.5 Field Number (mm):

45 Parfocal Length (mm):

Oil Immersion Liquid:

0.65 - 1.25 Numerical Aperture (NA) Range:

0.65 - 0.18 Depth of Field Range ( $\mu\text{m}$ ):

## Threading & Mounting

RMS / 20.32mm x 36 TPI Mounting Threads:

## Regulatory Compliance

[Exempt](#) RoHS 2015:

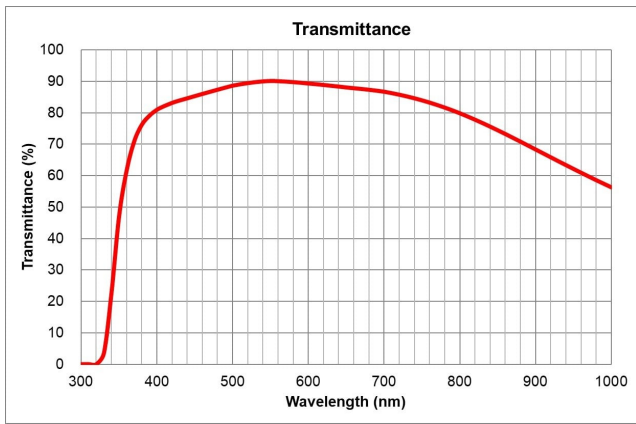
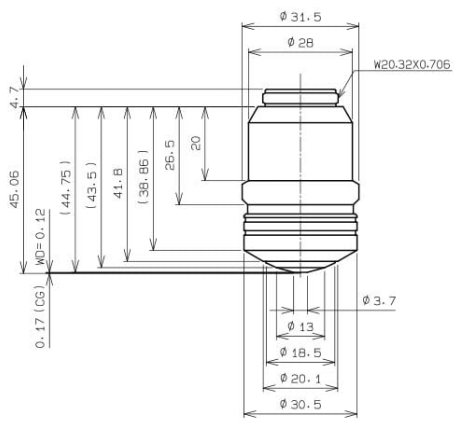
[View](#) Certificate of Conformance:

## Product Details

- Ideal for Brightfield, Darkfield, DIC, Fluorescence, or Polarization Microscopy
- Excellent Transmission in the UV
- High Numerical Apertures, Oil Immersion, and Variable Iris Options Available
- Additional [Olympus Infinity Corrected Objectives](#) Available

Olympus Plan Fluorite Objectives are multi-purpose objectives that utilize advanced multi-coatings to provide excellent flat field images from the UV to NIR. The objectives offer high signal-to-noise ratios, excellent resolution, and high contrast imaging capability. These objectives are ideal for brightfield microscopy or Nomarski differential interference contrast (DIC) observations, in addition to darkfield or fluorescence microscopy, or specific polarization techniques. Olympus Plan Fluorite Objectives are available in 4X up to 100X magnification. High Numerical Apertures, Oil Immersion, and Variable Iris options are available. Variable Iris options feature a correction collar to adjust the iris and reduce straylight to fine-tune the image as needed. Additional [Olympus Infinity Corrected Objectives](#) are also offered.

## Technical Information



	Stock #	A	B	C	D	E	F	G
UPLFLN 4X	<a href="#">86-817</a>	27.9	2.8	0.0	18.0	18.0	24.0	4.5
UPLFLN 10X	<a href="#">86-818</a>	34.9	10.1	0.0	13.6	13.6	24.0	4.5
UPLFLN 20X	<a href="#">86-819</a>	42.8	5.3	2.3	9.4	15.8	26.0	4.5
UPLFLN 40X	<a href="#">86-820</a>	44.4	5.1	4.0	8.5	16.0	26.0	4.5
UPLFLN 60X	<a href="#">86-822</a>	44.7	5.2	2.7	8.6	17.0	29.0	4.7
UPLFLN 100X (Oil Immersion)	<a href="#">86-823</a>	44.7	5.5	3.0	7.0	17.2	28.0	4.5

