

[See all 10 Products in Family](#)

Olympus SLMPLN 20X Objective

See More by [Olympus](#)



#86-824

Stock **#86-824** **1 In Stock**

1 **S\$5,117⁰⁰**

ADD TO CART

Volume Pricing	
Qty 1+	S\$5,117.00 each
Need More?	Request Quote

Product Downloads

General

Model Number:
SLMPLN20X

Compatible Tube Lens Focal Length (mm):
Focal Length: 180mm

Type:
Microscope Objective

Style:
Infinity Corrected

Manufacturer:

Physical & Mechanical Properties

1.3	Field of View (mm):
20.00	Length excluding Threads (mm):
26	Maximum Diameter (mm):
56	Weight (g):

Optical Properties

N/A	Compatible Cover Glass Thickness (mm):
9.00	Focal Length FL (mm):
20X	Magnification:
0.25	Numerical Aperture NA:
T> 90 from 400-700nm	Transmission (%):
1.34	Resolving Power (µm):
4.40	Depth of Field (µm):
25.0	Working Distance (mm):
400 - 700	Wavelength Range (nm):
26.5	Field Number (mm):
45	Parfocal Length (mm):
N/A	Immersion Liquid:
4.50	Entrance Pupil Diameter (mm):

Threading & Mounting

RMS / 20.32mm x 36 TPI	Mounting Threads:
------------------------	-------------------

Regulatory Compliance

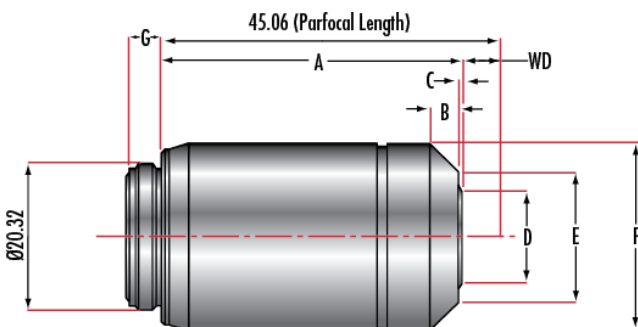
View	Certificate of Conformance:
----------------------	-----------------------------

Product Details

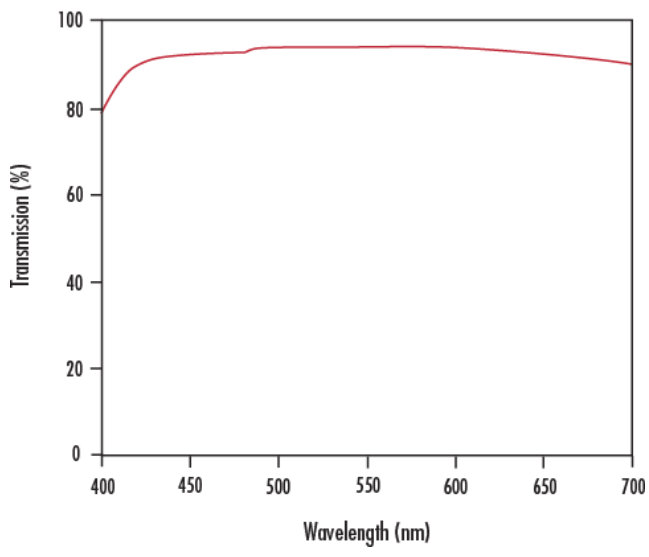
- Ideal for Brightfield Microscopy
- Ultra-Long Working Distances Reduce Risk of Specimen Damage
- Over 90% Transmission from 400 – 700nm
- Additional [Olympus Infinity Corrected Objectives](#) Available

Olympus Super Long WD MPlan Achromat Infinity Corrected Objectives are ideal for electronic assembly, semiconductor inspection, or other flat field inspection applications where resolution is critical. Olympus Super Long WD M Plan Achromat Infinity Corrected Objectives provide excellent performance, ultra-long working distances, and superior image clarity.

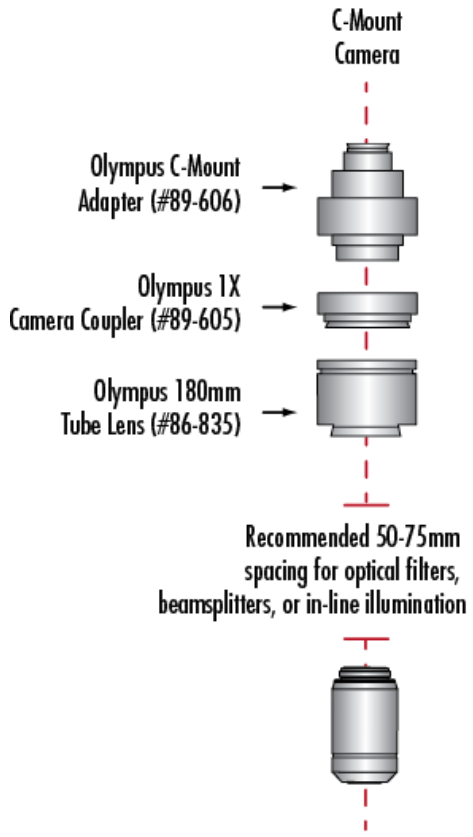
Technical Information



Typical Transmission



Using Olympus Objectives with C-Mount Cameras



Stock #ABCDEFG

SLMPLN 20X	86-824	20.0	0.5	0.2	16.1	25.0	26.0	4.9
SLMPLN 50X	86-825	27.0	2.2	0.7	16.9	21.4	26.0	4.9
SLMPLN 100X	86-826	37.4	1.0	0.2	14.7	23.8	26.0	4.9

