

[See all 14 Products in Family](#)

Olympus PLN 2X Objective

See More by [Olympus](#)



Olympus Plan Achromatic Objectives



Stock #16-879 **4 In Stock**

S\$1,176⁰⁰

ADD TO CART

Volume Pricing	
Qty 1+	S\$1,176.00 each
Need More?	Request Quote

Product Downloads

General

PLN2X **Model Number:**

Compatible Tube Lens Focal Length (mm):
Focal Length: 180mm

Microscope Objective **Type:**

Style:

Olympus **Manufacturer:**

Physical & Mechanical Properties

11.00 **Field of View (mm):**

39.10 **Length excluding Threads (mm):**

24 **Maximum Diameter (mm):**

97.9 **Weight (g):**

Optical Properties

N/A **Compatible Cover Glass Thickness (mm):**

90.00 **Focal Length FL (mm):**

2X **Magnification:**

0.06 **Numerical Aperture NA:**

5.59 **Resolving Power (µm):**

76.39 **Depth of Field (µm):**

5.8 **Working Distance (mm):**

22 **Field Number (mm):**

45 **Parfocal Length (mm):**

N/A **Immersion Liquid:**

306 **Depth of Focus (µm):**

10.80 **Entrance Pupil Diameter (mm):**

Threading & Mounting

RMS / 20.32mm x 36 TPI **Mounting Threads:**

Regulatory Compliance

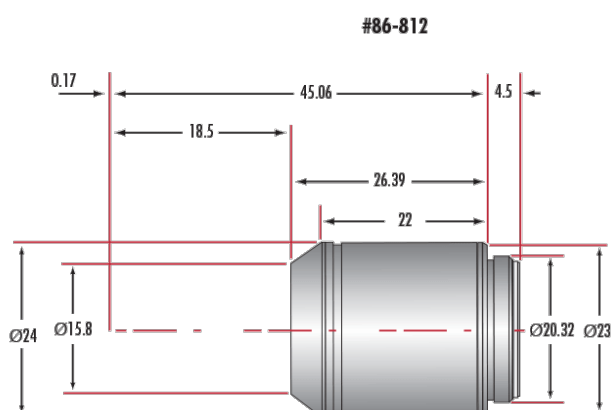
[View](#) **Certificate of Conformance:**

Product Details

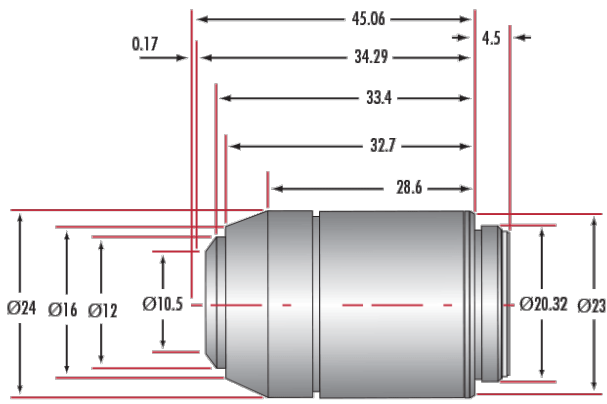
- Ideal for Brightfield, Darkfield, or Fluorescence Microscopy
- Excellent Price-to-Performance Ratio
- Suitable for Introductory and Advanced Optical Microscopy Applications
- Additional [Olympus Infinity Corrected Objectives](#) Available

Olympus Plan Achromatic Objectives are designed for clinical laboratory or examination applications. When using brightfield observation in a transmitted illumination system, Olympus Plan Achromatic Objectives provide excellent field flatness of up to F.N.22.

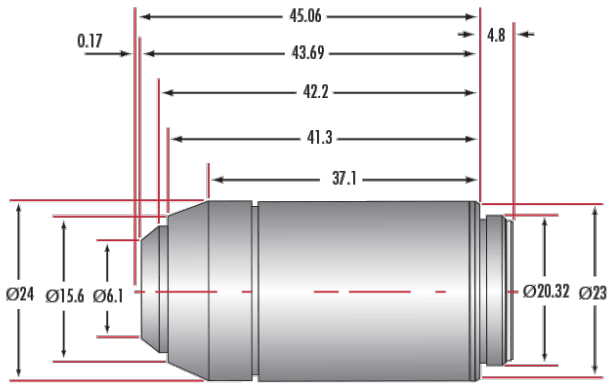
Technical Information



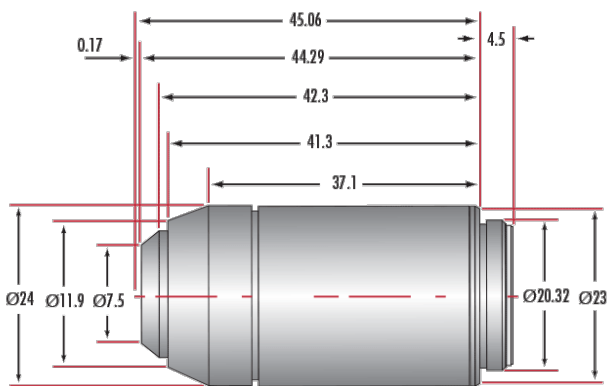
#86-813



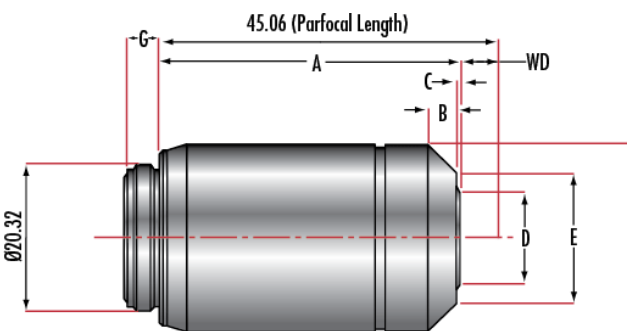
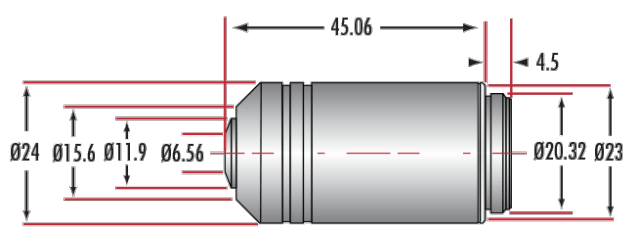
#86-814



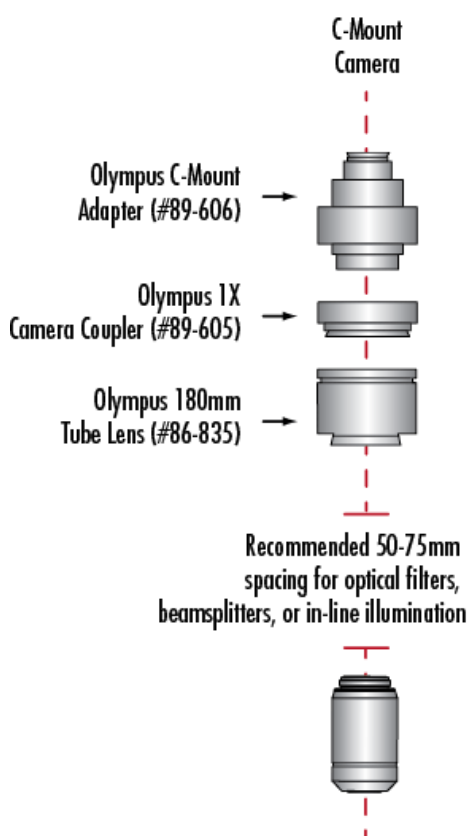
#86-815



#86-816



Using Olympus Objectives with C-Mount Cameras



	Stock #	A	B	C	D	E	F	G
PLN 2X	16-879	39.1	3.4	0.0	16.8	16.8	24.0	4.5
PLN 4X	86-812	26.4	4.4	0.0	15.8	15.8	24.0	4.5
PLN 10X	86-813	34.3	4.1	1.6	10.5	16.0	24.0	4.5
PLN 20X	86-814	43.7	4.2	2.4	6.1	15.6	24.0	4.8
PLN 40X	86-815	44.3	4.2	3.0	7.5	15.6	24.0	4.5
PLN 100X	86-816	44.7	4.2	2.5	6.6	15.6	24.0	4.5

