

TECHSPEC® Mounting Clamp, 68mm Inner Diameter



Mounting Clamp, 68mm Inner Diameter, #56-024

Stock **#56-024** **2 In Stock**

⊖ 1 ⊕ **\$351⁰⁰**

ADD TO CART

Volume Pricing

Qty 1+	\$351.40 each
Need More?	Request Quote

Product Downloads

General

Lens Accessory **Type:**

Physical & Mechanical Properties

68.0 **Inner Diameter (mm):**

Optical Properties

VS **Lens Wavelength Range:**

Regulatory Compliance

Compliant

RoHS 2015:

Compliant

Reach 209:

[View](#)

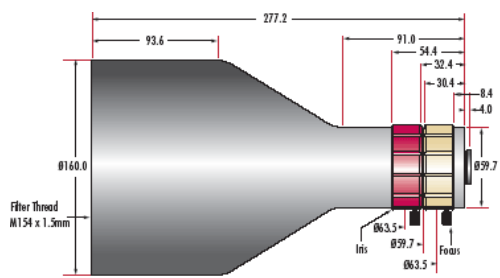
Certificate of Conformance:

Product Details

- High Resolution Telecentric Lens for Measurement and Gauging
- Up to 5 MegaPixels, 3.45µm Pixel Size Sensors
- Up to 2/3", C-Mount Telecentric Lens
- Magnification from 0.06X to 1X

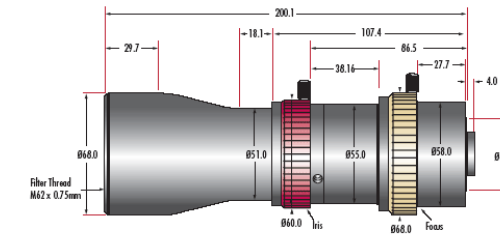
TECHSPEC® GoldTL™ Telecentric Lenses were designed specifically for machine vision and metrology applications. The unique focusable design allows for working distance adjustment, while still providing <math><0.2^\circ</math> telecentricity. These lenses also feature high resolutions, low distortions, and are available for 1/2" or 2/3" sensors. TECHSPEC® GoldTL™ Telecentric Lenses have a front filter thread for easy integration of [color filters](#), [polarizers](#) or other mounted components. Both the iris and focusing adjustment positions can be fixed by set screws to remain secure in high vibration environments.

Technical Information



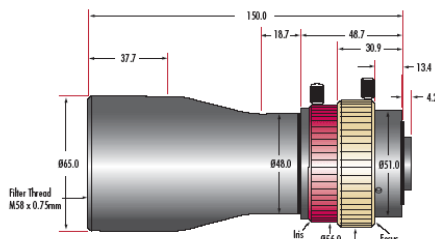
0.08X & 0.06X Telecentric Lens

Units: mm

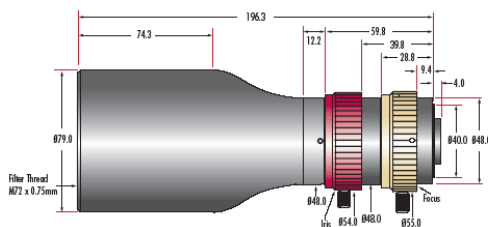


1X & 0.73X Telecentric Lenses

Units: mm



0.5X & 0.36X Telecentric Lenses

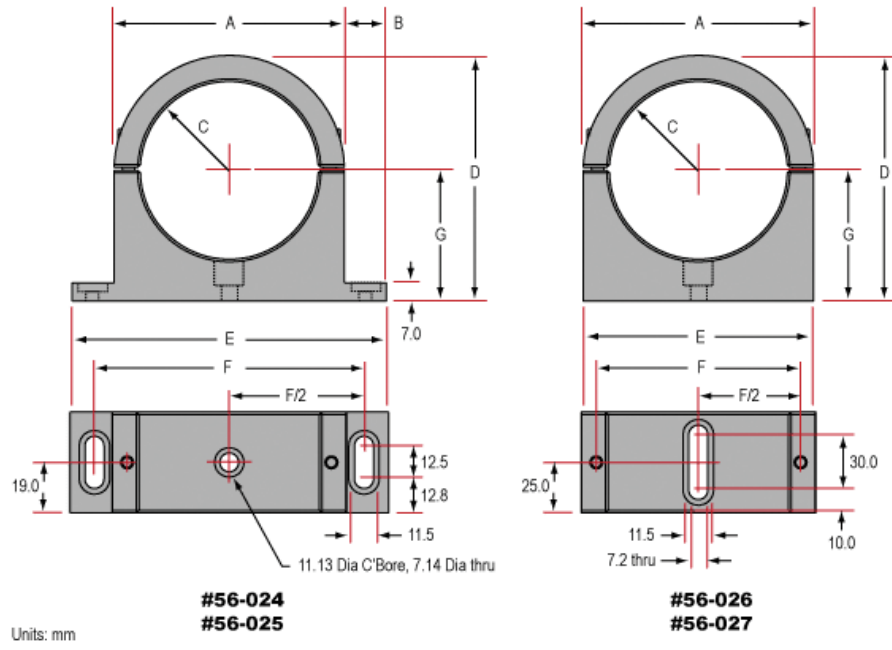


0.25X & 0.18X Telecentric Lenses

Units: mm

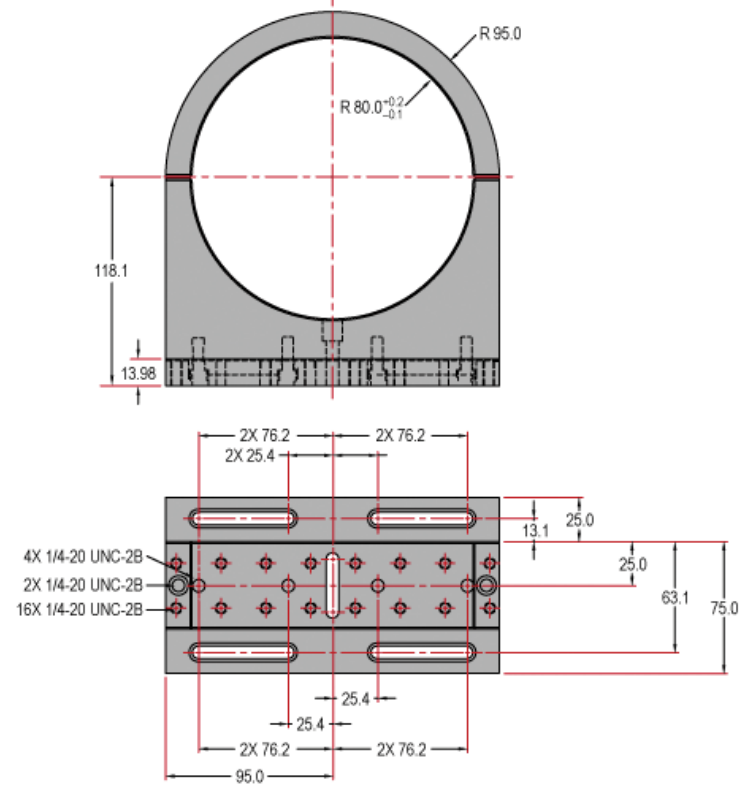
Stock No.	A	B	C	D	E	F	G
#56-024	88mm	16mm	34mm	94mm	120mm	101.6mm	50mm
#56-025	85mm	17.5mm	32.5mm	91mm	120mm	101.6mm	48.5mm
#56-026	103mm	—	39.5mm	107mm	103mm	90mm	55.5mm
#56-027	134mm	—	55mm	148mm	134mm	122mm	81mm

Telecentric Lens Mounts



Units: mm

Telecentric Lens Mount for #56-948



Units: mm