

M21 x 0.5 Eyepiece Retainer Ring for #35-689



M21 x 0.5 Eyepiece Retainer Ring for #35-689

Stock **#17-409** **20+ In Stock**

S\$32²⁰

ADD TO CART

Volume Pricing

Qty 1+	S\$32.20 each
Need More?	Request Quote

Product Downloads

General

Accessory **Type:**

Compatible with [#35-689](#) **Note:**

Physical & Mechanical Properties

17 **Clear Aperture CA (mm):**

3.00 ±0.05 **Thickness (mm):**

Black Oxidized Steel

Construction:

Threading & Mounting

M21.0 x0.5

Thread Type:

Regulatory Compliance

Compliant

RoHS 2015:

[View](#)

Certificate of Conformance:

Compliant

Reach 235:

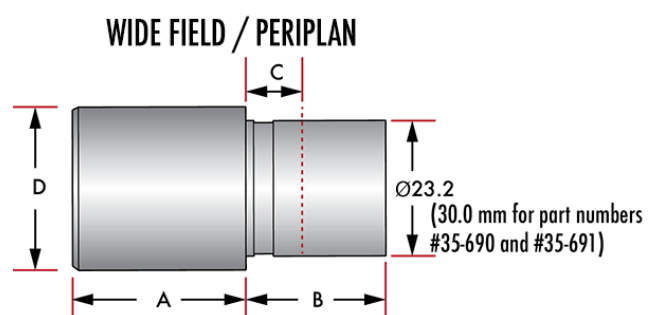
Product Details

- Widefield and DIN-45mm Versions Available
- Widefield Versions Offer Adjustable Diopter
- Three Standard Magnifications

Microscope Eyepieces attach to a variety of microscope systems featuring designs that consist of an achromatic doublet with a single plano-convex lens, where both convex surfaces face each other. These eyepieces are ideal for use with standard achromatic objectives and upright, brightfield microscope systems. Microscope Eyepieces are available as standard parts with different magnifications, focal lengths, and field stops. Additional magnification options available upon request - [contact us](#) today to discuss your specific requirements.

Note: Eyepieces are sold individually, not as a set.

Technical Information



Stock No.	A	B	C	D
#35-689	30.1	24.5	10	28
#35-690	33.7	26.3	10	42
#35-691	19.6	26.3	10	40
#35-692	19.5	24.5	10	28