

[See all 10 Products in Family](#)

## Glan-Taylor Polarizer 350 - 2300nm, 12.7mm



Glan-Taylor Polarizer

Stock **#89-548** [CONTACT US](#)

⊖ 1 ⊕ **SS\$1,890<sup>00</sup>**

**ADD TO CART**

Volume Pricing	
Qty 1-5	<b>SS\$1,890.00</b> each
Qty 6+	<b>SS\$1,799.00</b> each
Need More?	<a href="#">Request Quote</a>

### Product Downloads

### General

Linear Polarizer **Type:**

### Physical & Mechanical Properties

12.7 **Clear Aperture CA (mm):**

25.40 **Diameter (mm):**

**Length (mm):**

**Construction:**

Crystalline Glan-Taylor Polarizer

**Optical Properties****Coating:**Single Layer MgF<sub>2</sub>**Extinction Ratio:**<5 x 10<sup>-5</sup>**Substrate:** 

Calcite

**Surface Quality:**

20-10

**Transmitted Wavefront, P-V:** $\lambda/2$  @ 632.8nm**Beam Deviation (arcmin):**

&lt;3

**Transmitted Wavefront Distortion (RMS):** $\lambda/4$  @ 632.8 nm**Wavelength Range (nm):**

350 - 2300

**Damage Threshold, By Design:** 2 J/cm<sup>2</sup> @ 1064nm, 10ns, 10Hz**Regulatory Compliance****RoHS 2015:**

Compliant

**Certificate of Conformance:**[View](#)**Reach 247:**

Compliant

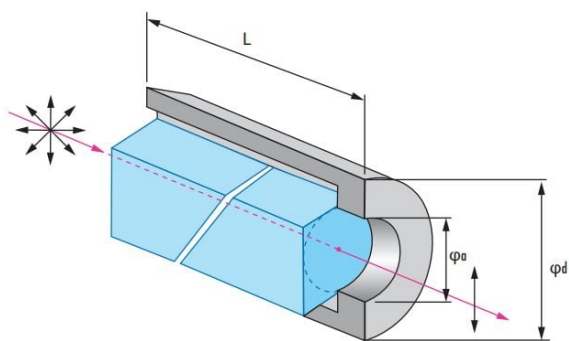
**Product Details**

- High Extinction Ratios up to 200 000:1
- High Laser Damage Thresholds up to 5 J/cm<sup>2</sup> @ 1064nm

Glan-Type Polarizers are mounted, polarizing prisms used in applications that require broad spectral ranges, high extinction ratios, or high polarization purities. Glan-Taylor Polarizers are medium-power, air-spaced UV to NIR polarizers that transmit the extraordinary beam. The ordinary beam is then reflected and absorbed by black glass plates that have been cemented to the prism. Glan-Laser Polarizers are similar to Glan-Taylor, but are designed for higher power applications and appropriate for use in Q-switched laser cavities. Glan-Laser Polarizers utilize an advanced polishing technique for minimizing surface scatter and feature two escape windows for passing the high power rejected light. Glan-Thompson Polarizers are low power polarizers that are ideal for UV, visible, or NIR applications, feature a cemented design, and transmit the extraordinary beam while absorbing the reflected ordinary beam.

# LASER OPTICS

MADE BY EDMUND OPTICS®

[LEARN MORE](#)
**Technical Information**

Glan-Taylor Polarizers



*Glan-Laser Polarizers*



*Glan-Thompson Polarizers*