

Glan-Taylor Polarizer 200 - 350nm, 12.7mm



Glan-Taylor Polarizer

Stock #89-550 **1 In Stock**

S\$2,093.⁰⁰

ADD TO CART

| Volume Pricing | |
|----------------|-------------------------------|
| Qty 1-5 | S\$2,093.00 each |
| Qty 6+ | S\$1,953.00 each |
| Need More? | Request Quote |

Product Downloads

General

Linear Polarizer **Type:**

Physical & Mechanical Properties

12.7 **Clear Aperture CA (mm):**

25.40 **Diameter (mm):**

Length (mm):

Construction:

Crystalline Glan-Taylor Polarizer

Optical Properties**Coating:**Single Layer MgF₂**Extinction Ratio:**<5 x 10⁻⁶**Substrate:**

α-BBO

Surface Quality:

20-10

Transmitted Wavefront, P-V:

λ/2 @ 632.8nm

Beam Deviation (arcmin):

<3

Transmitted Wavefront Distortion (RMS):

λ/4 @ 632.8 nm

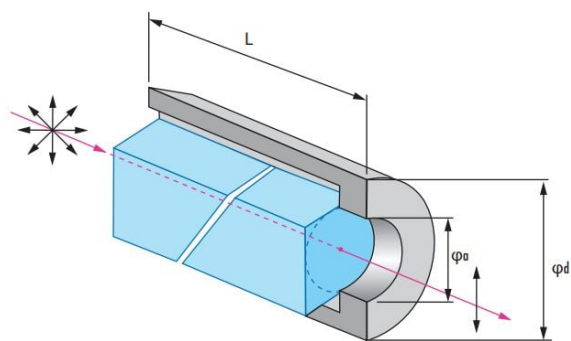
Wavelength Range (nm):

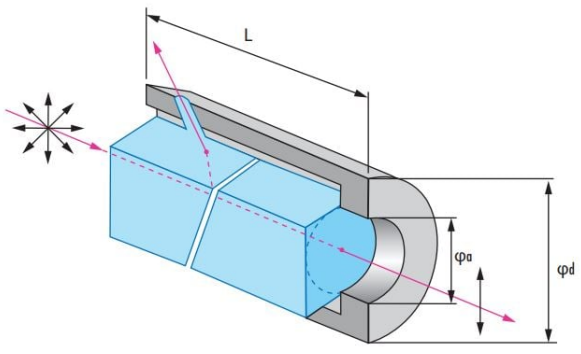
200 - 350

Damage Threshold, By Design: 2 J/cm² @ 1064nm, 10ns, 10Hz**Regulatory Compliance****RoHS 2015:****Compliant****Certificate of Conformance:****View****Reach 247:****Compliant****Product Details**

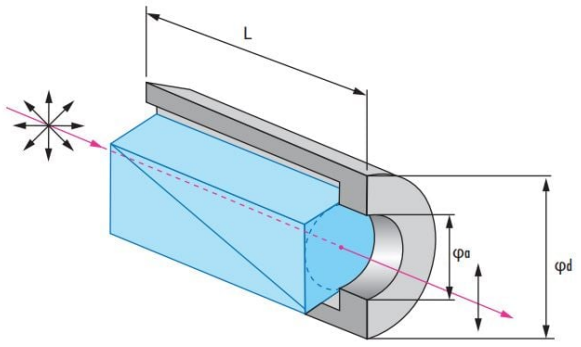
- High Extinction Ratios up to 200 000:1
- High Laser Damage Thresholds up to 5 J/cm² @ 1064nm

Glan-Type Polarizers are mounted, polarizing prisms used in applications that require broad spectral ranges, high extinction ratios, or high polarization purities. Glan-Taylor Polarizers are medium-power, air-spaced UV to NIR polarizers that transmit the extraordinary beam. The ordinary beam is then reflected and absorbed by black glass plates that have been cemented to the prism. Glan-Laser Polarizers are similar to Glan-Taylor, but are designed for higher power applications and appropriate for use in Q-switched laser cavities. Glan-Laser Polarizers utilize an advanced polishing technique for minimizing surface scatter and feature two escape windows for passing the high power rejected light. Glan-Thompson Polarizers are low power polarizers that are ideal for UV, visible, or NIR applications, feature a cemented design, and transmit the extraordinary beam while absorbing the reflected ordinary beam.

LASER OPTICS MADE BY EDMUND OPTICS®**LEARN MORE****Technical Information***Glan-Taylor Polarizers*



Glan-Laser Polarizers



Glan-Thompson Polarizers