

[See all 16 Products in Family](#)

Filter Cube for Olympus BX3/IX3 Microscopes

See More by [Olympus](#)



Olympus Filter Cube #86-833

Stock **#86-833** 20+ In Stock

⊖ 1 ⊕ S\$1,001⁰⁰

ADD TO CART

Volume Pricing	
Qty 1+	S\$1,001.00 each
Need More?	Request Quote

Product Downloads

General

Model Number:
N2711800

Type:
Fluorescence Filter Kit

Manufacturer:
Olympus

Dimensions of Compatible Optics (mm):
Excitation Filter: 25mm Dia.
Emission Filter: 25mm Dia.
Dichroic Mirror: up to 38 x 26mm

Note:

Compatible with Olympus BX3 and IX3 Series
Microscope

Physical & Mechanical Properties**Dimensions (mm):**

48 x 41 x 39

Threading & Mounting**Thickness of Compatible Optics (mm):**

Excitation Filters: up to 6mm
Emission Filters: up to 6mm
Dichroic Mirror: up to 1.4mm

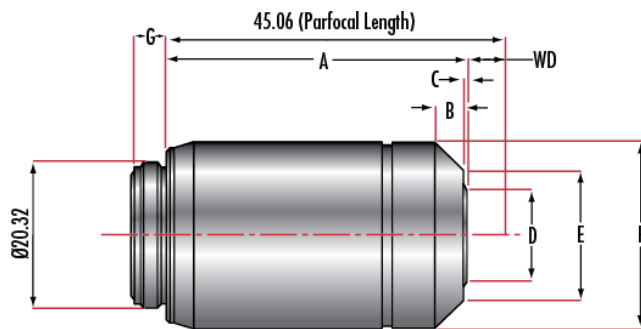
Regulatory Compliance**Certificate of Conformance:**

[View](#)

Product Details

- Ideal for Brightfield, Darkfield, DIC, Fluorescence, or Polarization Microscopy
- Excellent Transmission in the UV
- High Numerical Apertures, Oil Immersion, and Variable Iris Options Available
- Additional [Olympus Infinity Corrected Objectives](#) Available

Olympus Plan Fluorite Objectives are multi-purpose objectives that utilize advanced multi-coatings to provide excellent flat field images from the UV to NIR. The objectives offer high signal-to-noise ratios, excellent resolution, and high contrast imaging capability. These objectives are ideal for brightfield microscopy or Nomarski differential interference contrast (DIC) observations, in addition to darkfield or fluorescence microscopy, or specific polarization techniques. Olympus Plan Fluorite Objectives are available in 4X up to 100X magnification. High Numerical Apertures, Oil Immersion, and Variable Iris options are available. Variable Iris options feature a correction collar to adjust the iris and reduce straylight to fine-tune the image as needed. Additional [Olympus Infinity Corrected Objectives](#) are also offered.

Technical Information

	Stock #	A	B	C	D	E	F	G
UPLFLN 4X	86-817	27.9	2.8	0.0	18.0	18.0	24.0	4.5
UPLFLN 10X	86-818	34.9	10.1	0.0	13.6	13.6	24.0	4.5
UPLFLN 20X	86-819	42.8	5.3	2.3	9.4	15.8	26.0	4.5
UPLFLN 40X	86-820	44.4	5.1	4.0	8.5	16.0	26.0	4.5
UPLFLN 60X	86-822	44.7	5.2	2.7	8.6	17.0	29.0	4.7
UPLFLN 100X (Oil Immersion)	86-823	44.7	5.5	3.0	7.0	17.2	28.0	4.5

