

[See all 12 Products in Family](#)

TECHSPEC® f/2.1, 25mm Focal Length Green Series M16 Lens



25mm Focal Length, #54-855

Stock **#54-855** **20+ In Stock**

⊖ 1 ⊕ **S\$114⁰⁰**

ADD TO CART

Volume Pricing	
Qty 1-49	S\$114.00 each
Qty 50+	S\$91.00 each
Need More?	Request Quote

Product Downloads

General

Green Series **Product Family:**

M12 Imaging Lens **Type:**

No **IR Cut Filter:**

Standard Lens **Imaging Lens Type:**

Physical & Mechanical Properties

Fixed	Iris Option:
24.20	Length (mm):
18	Maximum Diameter (mm):
18	Outer Diameter (mm):
13	Weight (g):

Optical Properties

Horizontal Field of View @ Max Sensor Format:
34.8mm - 14.7°

Field of View at Max Sensor Format:
Horizontal: 34.9mm - 14.7°
Vertical: 26mm - 11°
Diagonal: 43.9mm - 18.5°

Horizontal Field of View, 1/2" Sensor:
34.8mm - 14.7°

Horizontal Field of View, 1/2.5" Sensor:
31.5mm - 13.3°

Horizontal Field of View, 1/3" Sensor:
26.0mm - 11.0°

Horizontal Field of View, 1/4" Sensor:
19.4mm - 8.2°

Resolution:
115 lp/mm @20% Contrast

Maximum Image Circle (mm):
8.00

Numerical Aperture NA, Object Side:
0.0429

Number of Elements (Groups):
4(4)

Wavelength Range (nm):
400 - 700

Focal Length FL (mm):
25.00

Working Distance (mm):
150 - ∞

Aperture (f/#):
f/2.1

Distortion (%):
-1.69 @Full Field

Back Focal Length BFL (mm):
12.6 - 11.9

Coating Specification:
M4 MgF₂ @580nm

Entrance Pupil Position (mm):
4.43

Object Space Principal Plane (mm):
8.73

Image Space Principal Plane (mm):
-12.83

Maximum Distortion (%):
-1.69

Exit Pupil Position (mm):
-18.02

Lens Wavelength Range:
VIS

Sensor

Maximum Sensor Format:
1/2"

Pixel Size (µm):
8.30

Threading & Mounting

Filter Thread:
N/A

Mounting Threads:
M16 x0.5

Mount:

Regulatory Compliance

Compliant **RoHS 2015:**

View **Certificate of Conformance:**

Compliant **REACH 241:**

Product Details

- Up to 1/2", S-Mount Lens
- Up to 0.4 MegaPixels, 8.3µm Pixel Size Sensors
- Board Camera Lens Optimized for Close WD and Finite Conjugate
- 6mm to 25mm Focal Lengths

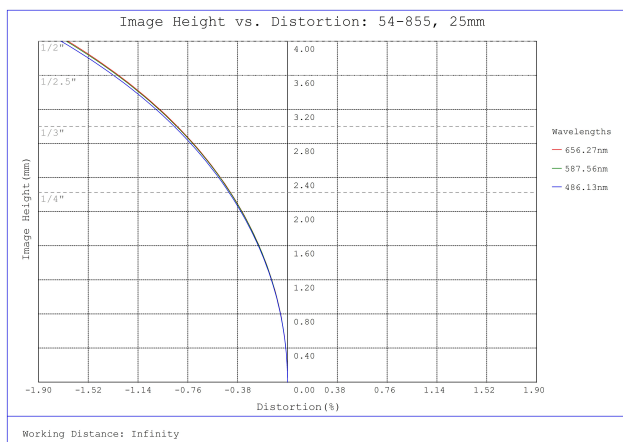
TECHSPEC® Green Series M12 Lenses designed for use in compact and board level cameras provide excellent image quality in a small, versatile package. Optimized to cover 1/3" and 1/2" sensor formats and weighing only a few grams, these machine vision lenses meet the most demanding space and weight restrictions. Each lens is threaded for M12 x0.5, except the 25.0mm focal length option ([#54-855](#)). TECHSPEC® Green Series M12 Lenses are ideal for wide angle and close focus applications, large area inspect for the automotive, forensic, pharmaceutical, and food industries. Prescription data is available by submitting a [Request for Prescription Form](#).

Note: Compatible [TECHSPEC M12 Imaging Lens Accessories](#) available.

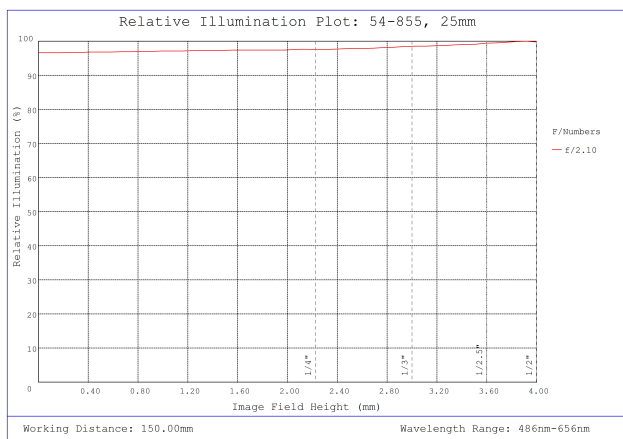
Edmund Optics has created multiple product families of our TECHSPEC® M12 S-Mount Lenses, which are designed to provide high resolution. These high performance lenses feature precision glass designs in a metal housing and have optimized specifications between each product family to meet your application needs.

- **Blue Series M12 Lenses:** High resolution finite conjugate designs optimized for machine vision working distances.
- **Rugged Blue Series M12 Lenses:** Stabilized ruggedization versions of our Blue Series M12 Lenses, utilizing the same optics.
- **Green Series M12 Lenses:** Finite conjugate designs optimized for machine vision working distances.
- **Red Series M12 Lenses:** Infinite conjugate designs optimized for high resolution performance out to infinity.
- **HEO Series M12 Lenses:** Harsh Environment Optics (HEO) sealed versions of our Red Series M12 Lenses.
- **Liquid Lens M12 Lenses:** Integrated liquid lens for fast electronic focus.

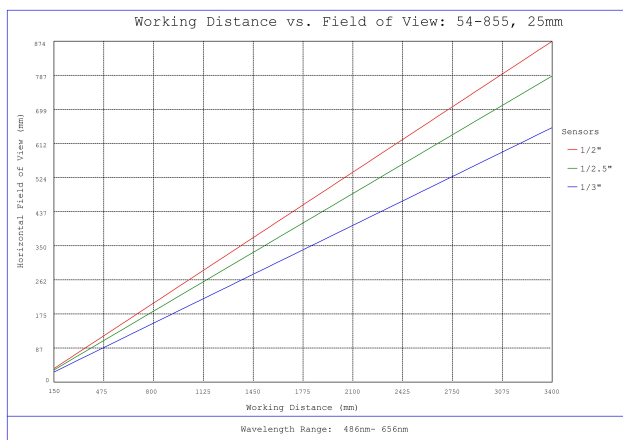
Technical Information



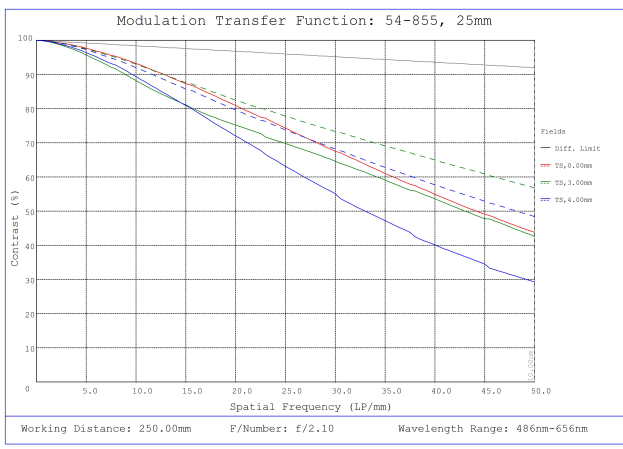
#54-855, f/2.1, 25mm Focal Length Green Series M16 Lens, Distortion Plot



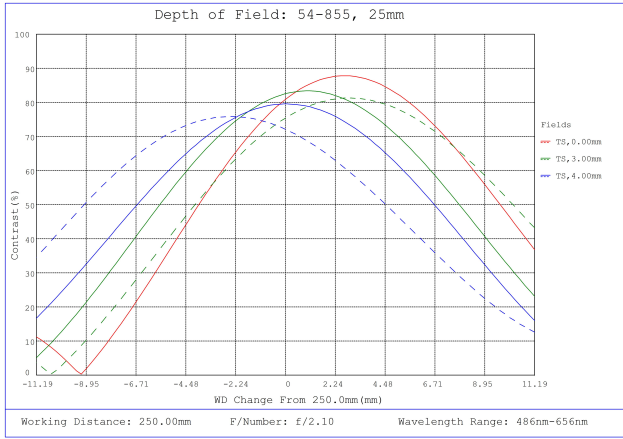
#54-855, f/2.1, 25mm Focal Length Green Series M16 Lens, Relative Illumination Plot



#54-855, f/2.1, 25mm Focal Length Green Series M16 Lens, Working Distance versus Field of View Plot

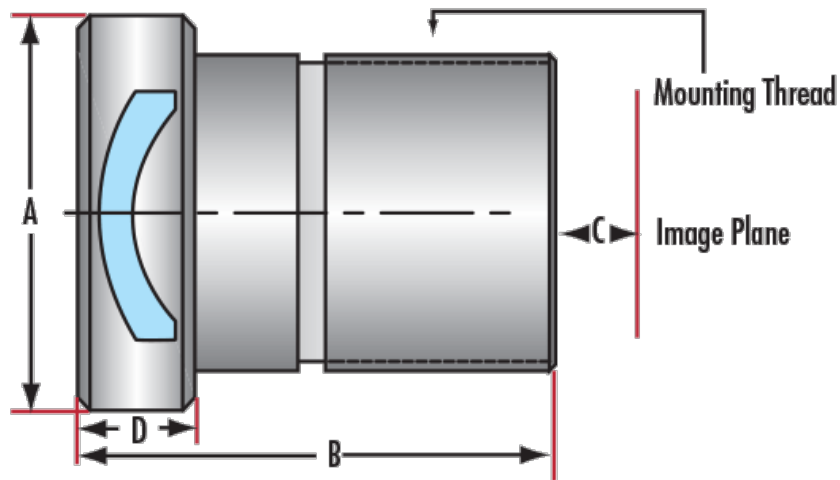


#54-855, f/2.1, 25mm Focal Length Green Series M16 Lens, Modulated Transfer Function (MTF) Plot, 250mm Working Distance, f2.1



#54-855, f/2.1, 25mm Focal Length Green Series M16 Lens, Depth of Field Plot, 250mm Working Distance, f2.1

Focal Length	A	B	C**	D	Mounting Thread
6.00	14.0	11.70	4.0 - 3.9	3.5	M12 x 0.5
8.00	14.0	20.40	8.9 - 8.7	6.0	M12 x 0.5
12.00	16.0	19.50	7.1 - 6.75	6.0	M12 x 0.5
25.00	18.0	24.40	12.6 - 11.9	9.0	M16 x 0.5



**Minor adjustment required to match WD limits.