

[See all 12 Products in Family](#)

# DIGIMICRO MF-501 High Performance Measurement Head

See More by [Nikon](#)



DIGIMICRO MF-501 High Performance Measurement Head

Stock **#29-229** [CONTACT US](#)

⊖ 1 ⊕ **SS\$4,564<sup>00</sup>**

**ADD TO CART**

Volume Pricing	
Qty 1+	<b>SS\$4,564.00</b> each
Need More?	<a href="#">Request Quote</a>

## Product Downloads

### General

Measurement Head **Type:**

MF-501 **Model Number:**

**Note:**  
Includes Standard Measuring Probe  
Measuring Force: Downward 1.13 to 1.62N (Variable to about 0.29N), Laterally 0.64 to 1.23N

Nikon **Manufacturer:**

## Physical & Mechanical Properties

310 **Weight (g):**

30 (W) x 232 (H) **Dimensions (mm):**

1  $\mu\text{m}$  (20 °C) **Accuracy ( $\mu\text{m}$ ):**

500 **Speed (mm/s):**

## Environmental & Durability Factors

0 to +40 **Operating Temperature (°C):**

-20 to +60 **Storage Temperature (°C):**

## Regulatory Compliance

[View](#) **Certificate of Conformance:**

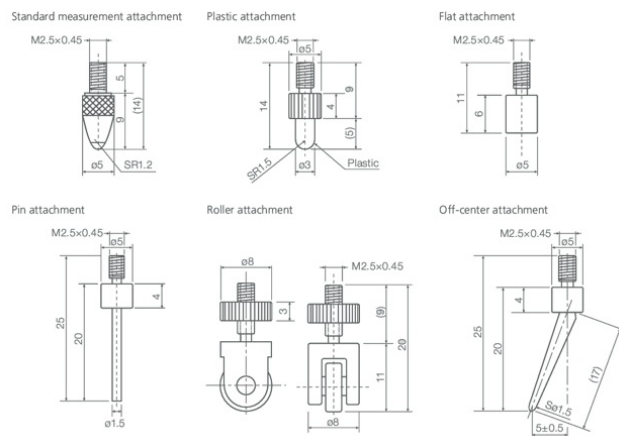
[Contains SVHC\(s\)](#) **REACH 241:**

## Product Details

- 1  $\mu\text{m}$  Accuracy (at 20°C) and Measurement Length of 0 - 50mm
- 500mm/sec Maximum Response Speed
- Granite Platform Stand and 6 Measuring Probe Tips Available

The Nikon DIGIMICRO Digital Length Measuring System features a built-in, photoelectric, digital linear scale to provide precise contact-based thickness, depth, and height measurements of industrial materials. This measuring system has a 0 – 50mm measuring range and a 0.1  $\mu\text{m}$  minimum readable value at an accuracy of 1  $\mu\text{m}$  (at 20°C) with a response speed of 500mm/sec. The measurement head has 6 measuring probe tip options such as the standard, pin, plastic, off-center, flat, and roller tips for measurements of various materials. The Nikon DIGIMICRO Digital Length Measuring System is equipped with the MFC-200 Digital Counter for display and resolution switching, direction switching, and display unit switching functions. This measuring system is ideal industrial metrology applications requiring extreme precision and accuracy.

## Technical Information



PID4485\_Measurement\_Probes