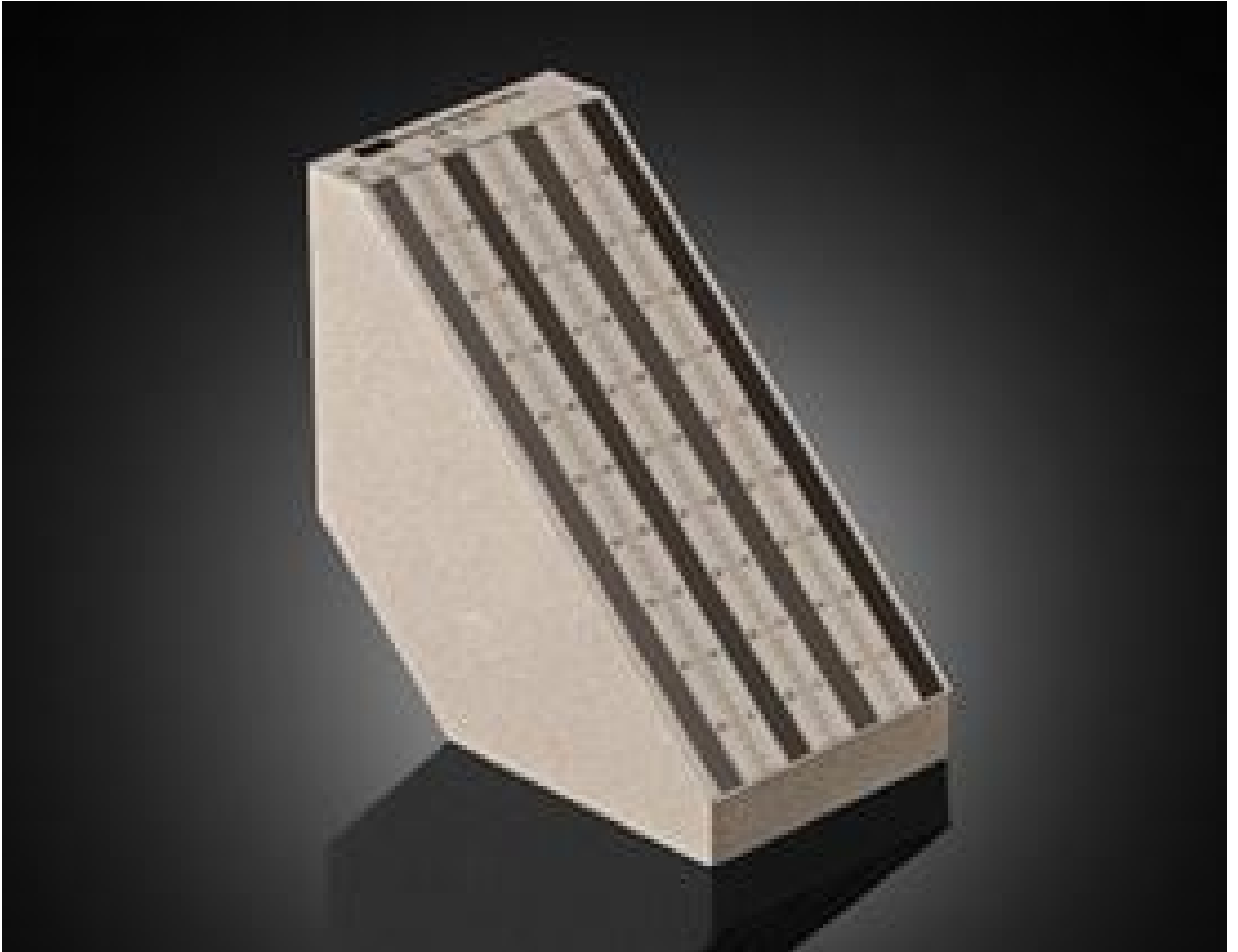


Depth of Field Target 5-15



DOF 5-15 Depth of Field Target

Stock **#54-440** **4 In Stock**

⊖ 1 ⊕ **S\$1,365⁰⁰**

ADD TO CART

Volume Pricing	
Qty 1-4	S\$1,365.00 each
Qty 5+	S\$1,297.94 each
Need More?	Request Quote

Product Downloads

Physical & Mechanical Properties

57.00 **Diameter (mm):**

57 H x 34 W x 57 D **Dimensions (mm):**

Aluminum **Construction:**

50.00 **Maximum Depth (mm):**

Optical Properties

Black on White-Backed Film

Substrate:

Resolution:
5 and 15 lp/mm Scale (both Horizontal and Vertical)

Regulatory Compliance

Compliant

RoHS 2015:

[View](#)

Certificate of Conformance:

Compliant

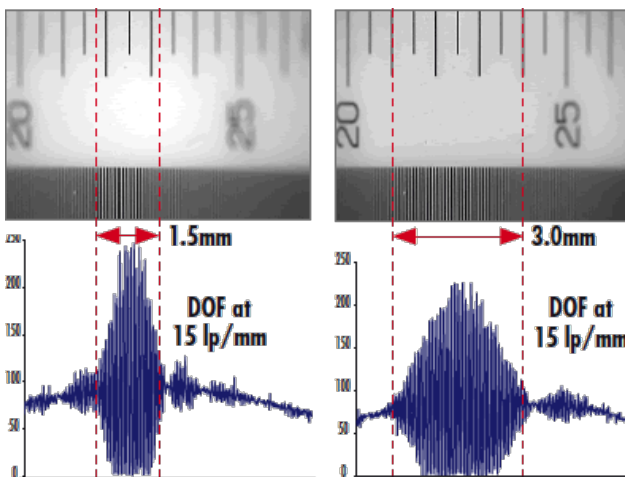
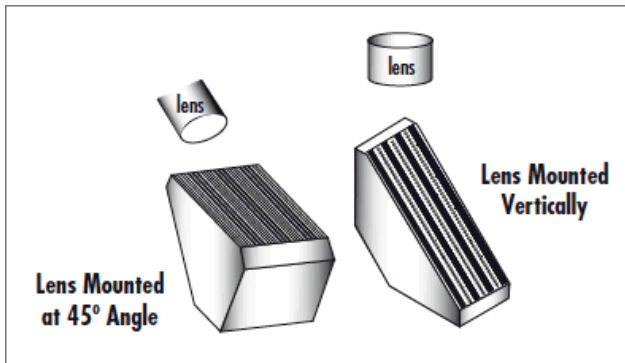
Reach 240:

Product Details

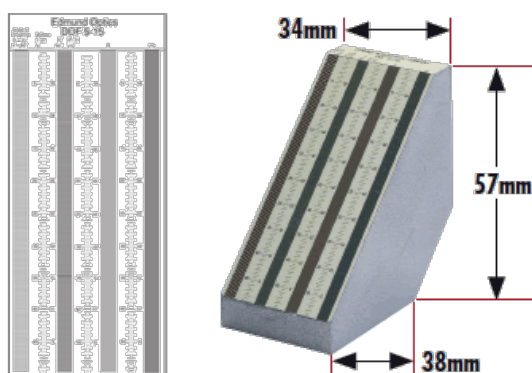
- Test Depth of Field of Your Imaging System
- Effective Measurement Eliminates the Need for Calculations

DOF 5-15 Depth of Field Target was developed to standardize an area of optical tolerancing that is most commonly determined theoretically. Optical system design requires stringent depth of field specifications. This target eliminates potentially misleading depth of field calculations. This target solves the problem and very accurately determines the amount of shift an object can undertake before producing an unacceptable image. The definition of what constitutes an acceptable image is determined by the user and the application. The DOF 5-15 Depth of Field Target is made up of two sets of scales. Each, when viewed at 45°, consists of horizontal and vertical lines at a frequency of 5- and 15-line pairs per mm. Instructions included.

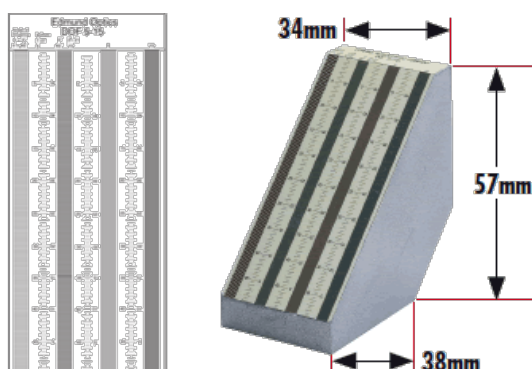
Technical Information

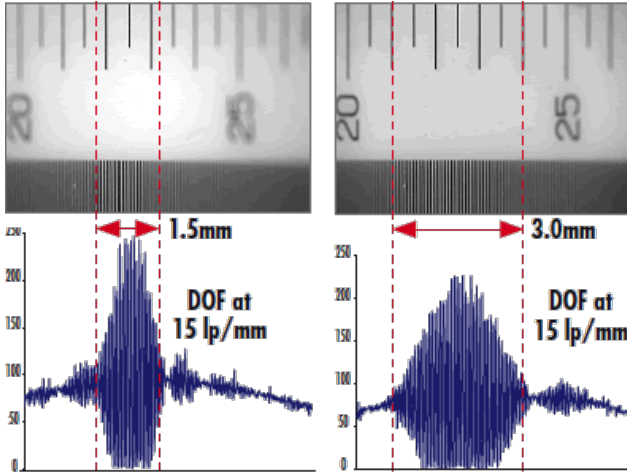
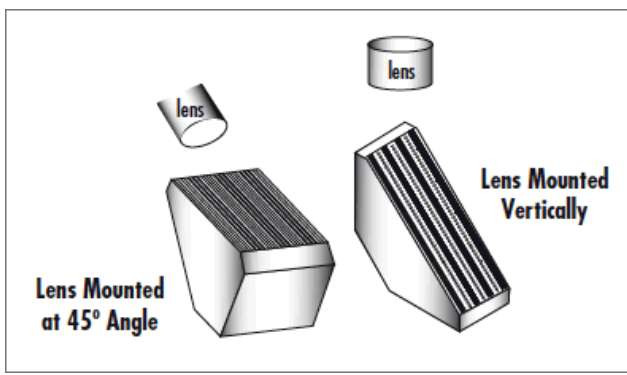


Line spread functions of ruling. Taken with VZM™ 200i at 1X PMAG.
Left: Iris Open. Right: Iris Half Open.



Click the image below for an enlarged downloadable file.





Line spread functions of ruling. Taken with VZM™ 200i at 1X PMAG.
Left: Iris Open. Right: Iris Half Open.