

## Common Slotted Type, Large Size, Right Angle Bracket



Stock #58-181 **13 In Stock**

⊖ 1 ⊕ S\$176<sup>00</sup>

**ADD TO CART**

### Volume Pricing

Qty 1+	S\$176.40 each
Need More?	<a href="#">Request Quote</a>

### Product Downloads

### General

English Type:

### Threading & Mounting

**Mounting Threads:**  
(15) Slots for ¼-20 and M6 S.H.C.S. (no thread holes).

### Regulatory Compliance

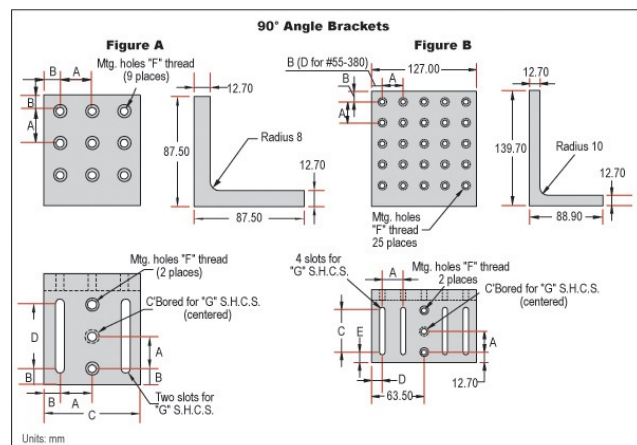
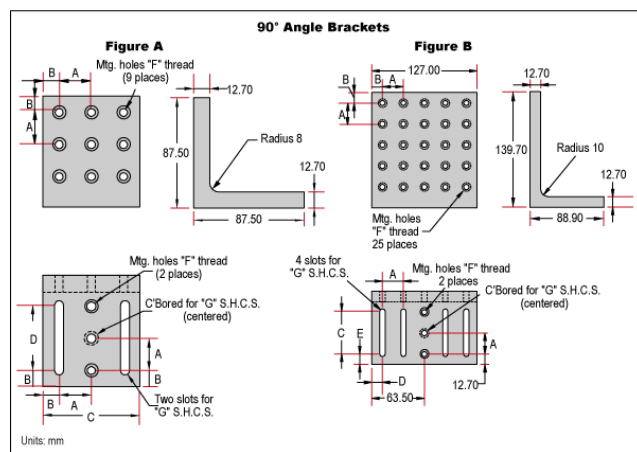
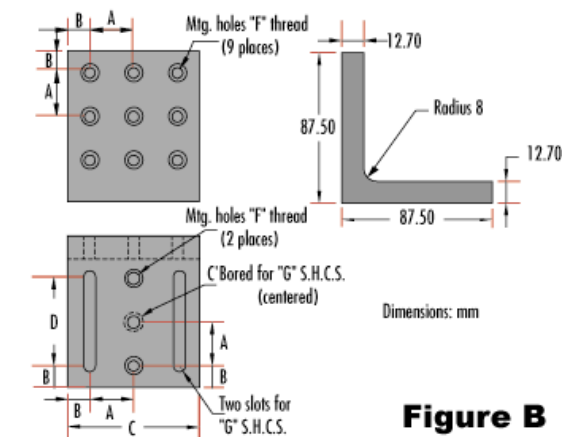
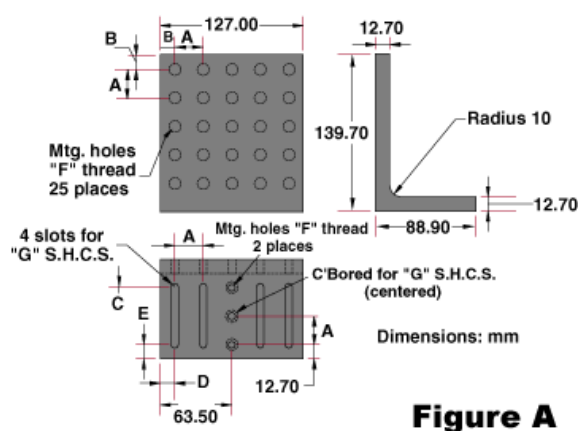
## Product Details

This large right-angle bracket is ideal for creating stable, orthogonal connections between optical components or mounting structures via standard English breadboards and posts. It features slotted faces for flexible positioning and allows for easy alignment adjustments during setup. Precision-machined, this right-angle bracket supports rigid assembly in lab environments where durability and repeatable positioning are essential.

- Metric, English and Common Slotted Versions
- Standard 1/4-20 or M6 x 1.0 Holes/Slots or All Slots
- Large and Small Sizes
- Black Anodized Aluminum Construction

90° Angle Brackets are adapter plates that enable the mounting of rotary or translation stages, optic mounts, and other positioning equipment at 90° to the breadboard, bench plate, or lab table work surface. Brackets accommodate either 1/4 or M6 mounting connections, depending on the model selected. 90° Angle Brackets are available in Metric, English Standard, and Common Slotted versions. Common bracket types have only slots (no threaded holes) for both English and Metric platform integration. Small size has three 2" long slots on both faces. Large size has five 2" long slots on base and ten 1 1/2" long slots on the larger mounting face (5 rows with 1" gap at center). See the illustrations under the "Technical Information" tab for this product for additional specifications.

## Technical Information



90° Angle Brackets



Units: mm

Type	A	B	C	D	E	Mounting Hole F	Mounting Hole G	Stock No.
English, Figure A	1"	1/2"	3"	2"	-	1/4-20	1/4	<a href="#">#55-379</a>
Metric, Figure A	25mm	12.5mm	75mm	51mm	-	M6 x 1.0	M6	<a href="#">#55-381</a>
English, Figure B	1"	1/2"	2"	1/2"	1/2"	1/4-20	1/4	<a href="#">#55-378</a>
Metric, Figure B	25mm	12.5mm	57mm	13.5mm	6mm	M6 x 1.0	M6	<a href="#">#55-380</a>
Common, Figure C	1"	1/2"	3"	2"	-	N/A		<a href="#">#58-180</a>
Common, Figure D			2"	1/2"	1/2"			<a href="#">#58-181</a>

90° Angle Brackets



Units: mm