

TECHSPEC® C-Mount, SMA Fiber Connector Adapter



SMA Fiber Adapter #63-946 with Fiber

Stock **#63-946** **20+ In Stock**

⊖ 1 ⊕ **\$57⁰⁵**

ADD TO CART

Volume Pricing	
Qty 1-4	\$57.05 each
Qty 5-9	\$50.82 each
Qty 10-25	\$47.46 each
Need More?	Request Quote

Product Downloads

General

Function:
Optic Mount (Fixed)

Type of Optics:
Fiber Patchcord

Physical & Mechanical Properties

Construction:
Black Anodized Aluminum Mount, Stainless Steel

Fiber Connector

3.00

Thickness (mm):

Electrical

Fiber Connection:

SMA

Threading & Mounting

Thread Type:

C-Mount

Regulatory Compliance

RoHS 2015:

Compliant

Reach 224:

Compliant

Certificate of Conformance:

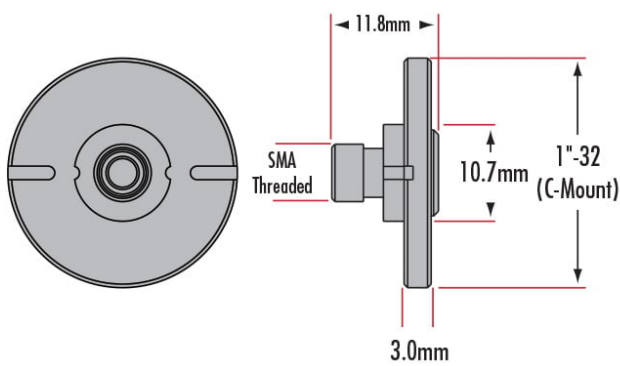
[View](#)

Product Details

- C-Mount, S-Mount, SM1, and SM05 Threading
- Low Profile Designs for Minimal System Intrusion
- Available for SMA, FC, or FC/APC Fiber Connectors

Tube System Fiber Connector Adapters provide an easy and simple solution for integrating connectorized fiber into C-Mount, S-Mount, SM1 (1.035" x40 TPI), or SM05 (0.535" x40 TPI) systems. C-Mount Fiber Connector Adapters are available for SMA, FC, or FC/APC connectors. S-Mount Fiber Connector Adapters are available for SMA, FC, or FC/APC connectors. SM1 and SM05 Fiber Connector Adapters are available for FC/APC connectors. Connectors can be threaded into any female [C-Mount](#), [S-Mount](#), [SM1](#), or [SM05](#) component. Tube System Fiber Connector Adapters can be oriented in either direction for maximum flexibility. Optional housings are sold separately.

Technical Information



#63-946