

## C-Mount Light Guide Mounting Adapter



Light Guide Mounting Adapter



Stock **#53-047** **20+ In Stock**

⊖ 1 ⊕ **SS\$56<sup>.35</sup>**

**ADD TO CART**

Volume Pricing	
Qty 1-4	<b>SS\$56.35</b> each
Qty 5+	<b>SS\$50.26</b> each
Need More?	<a href="#">Request Quote</a>

Product Downloads

### SPECIFICATIONS

#### General

Type of Optics:

Fiber Light Guide

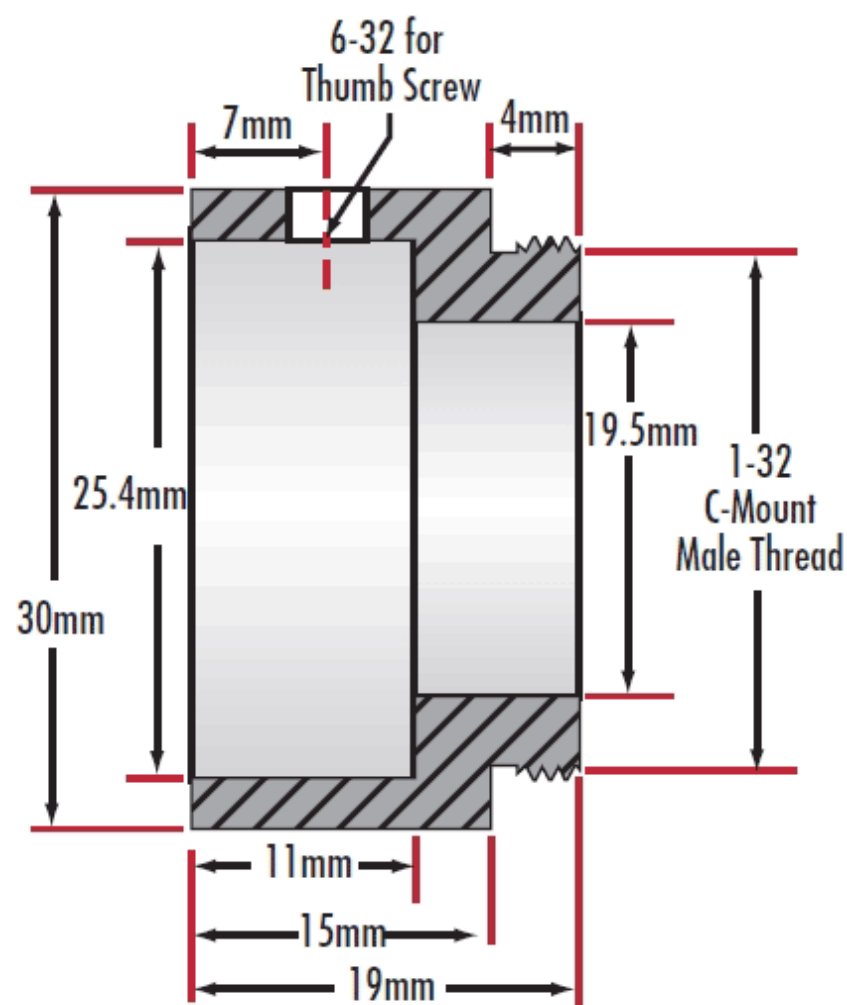
Tube Mount	Type:
Accessory	Type of Illumination:
Accessory (Optional)	Note:
Optic Mount (Fixed)	Function:
<b>Physical &amp; Mechanical Properties</b>	
25.4	Inner Diameter (mm):
19.25	Total Length (mm):
29.85	Outer Diameter (mm):
15.0	Extension Length (mm):
<b>Threading &amp; Mounting</b>	
C-Mount	Thread Type:
<b>Regulatory Compliance</b>	
<a href="#">Compliant</a>	RoHS 2015:
<a href="#">View</a>	Certificate of Conformance:
<a href="#">Compliant</a>	Reach 251:

## PRODUCT DETAILS

- Adapt Light Guides to Optical Components
- C-Mount and T-Mount Versions Available
- Articulating Arm Package Available

These optional Light Guide Mounting Adapters make mounting and integration easy. The versatile mounting adapter is used in some of our [machine vision lens assemblies](#). It connects on one side to fiber optic light guides, using the matching [fiber optic adapter](#), and is secured via a thumb screw. The opposite side features a C-Mount or T-Mount male thread for easy integration with our C-Mount and T-Mount components. Our Articulating Arm Package also provides convenient, adjustable mounting. It includes one 3" long shaft, two knuckle ball-joints with 1/4-20 threaded studs, and a ring clamp.

## TECHNICAL INFORMATION



C-Mount Dimensions

