

**TECHSPEC® C-Mount Achromat Pair 1:2 with 30 and 60mm Focal Lengths**



Stock #87-186 **1 In Stock**

- 1 + S\$611<sup>00</sup>

**ADD TO CART**

Volume Pricing	
Qty 1-5	S\$611.80 each
Qty 6-25	S\$490.00 each
Qty 26-49	S\$473.20 each
Need More?	<a href="#">Request Quote</a>

Product Downloads

**General**

Relay Lens **Type:**

**Physical & Mechanical Properties**

0.8 - 20 **Aperture (mm):**

38.00 **Housing Diameter (mm):**

Housing Length (mm):  
45.9

Image Distance (mm):  
40.00

## Optical Properties

Surface Quality:  
40-20

Working f#:  
f/2.8 - f/76

Coating:  
VIS 0° (425-675nm)

Coating Specification:  
 $R_{avg} \leq 0.4\% @ 425 - 675nm$

Effective Focal Length EFL A (mm):  
30.0

Effective Focal Length EFL B (mm):  
60.0

Magnification:  
1:2

Object Distance (mm):  
15.00

Wavelength Range (nm):  
425 - 675

## Regulatory Compliance

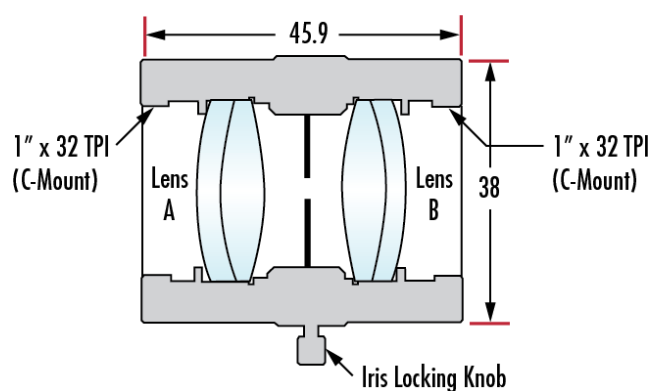
Certificate of Conformance:  
[View](#)

## Product Details

- C-Mount Designs for Easy Integration into Imaging Applications
- Feature Integrated Iris for Increased Control of Light Throughput
- Ideal for Relay or Projection Applications

TECHSPEC® C-Mount Achromatic Pairs are designed to be easily integrated into a variety of OEM applications. TECHSPEC C-Mount Achromatic Pairs utilize an integrated iris to allow for user adjustment of numerical aperture and depth of focus. Each lens has been oriented for maximum system performance. The aluminum housing removes the risks associated with handling loose optics. Broadband visible coated lenses provide high transmission and low reflection loss over wide spectral regions.

## Technical Information



## Coating Curves