

[See all 22 Products in Family](#)

Breadboard Mounting Plate (2.5" sq w/ 1/4-20 Thru Holes) (B)



Breadboard Mounting Plate

Stock **#38-535** **2 In Stock**

⊖ 1 ⊕ **\$\$109⁰⁰**

ADD TO CART

Volume Pricing

Qty 1+	\$\$109.90 each
Need More?	Request Quote

Product Downloads

General

Adapter Brackets & Plates

Type:

Regulatory Compliance

Compliant

RoHS 2015:

[View](#)

Certificate of Conformance:

Compliant

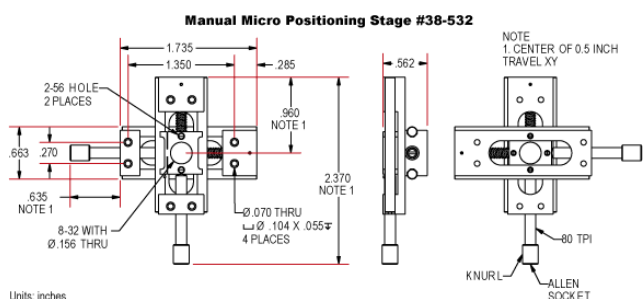
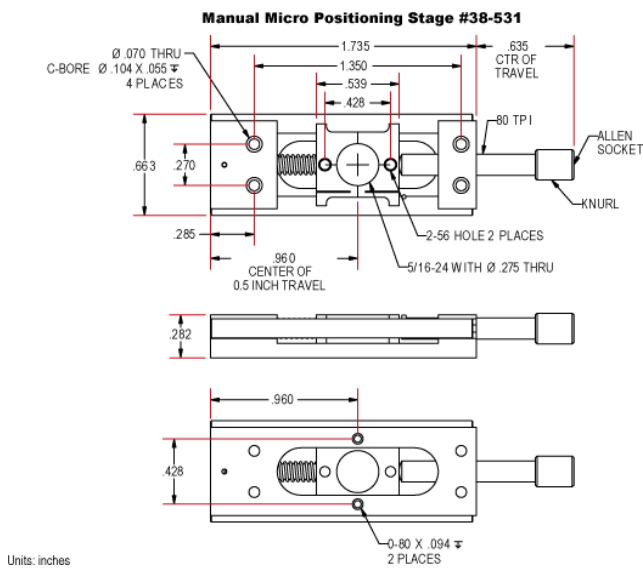
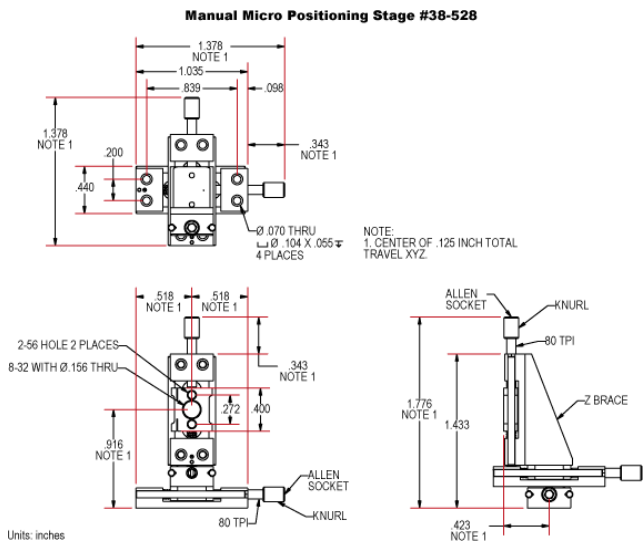
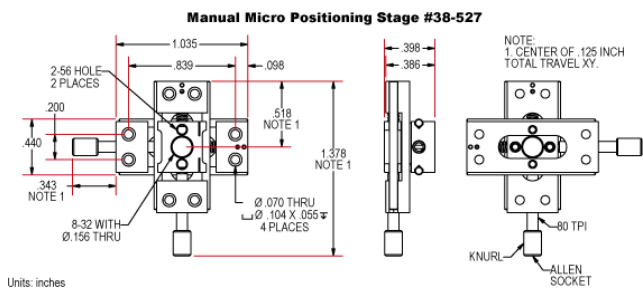
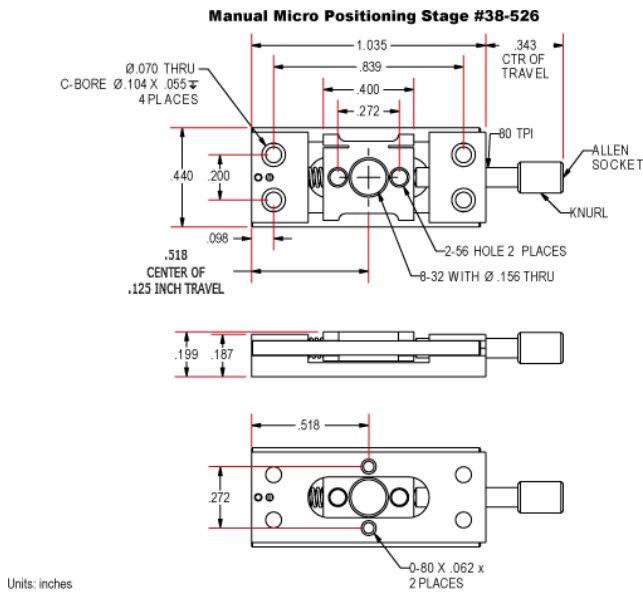
REACH 241:

Product Details

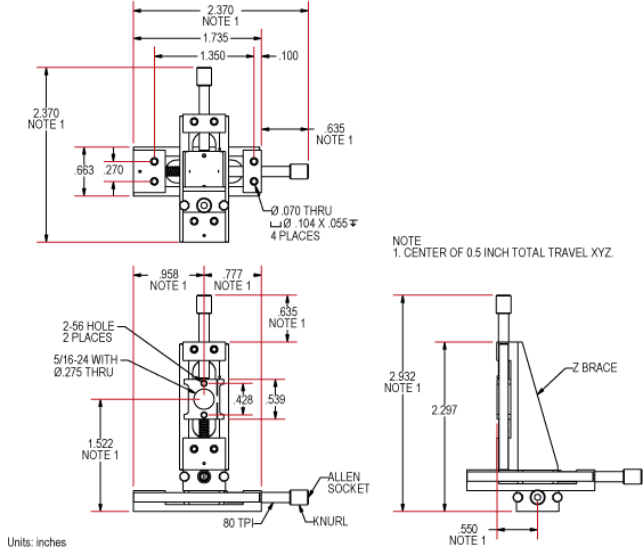
- Two Micro Sizes Available
- Versions with Covered Rails
- Three Travel Selections
- X, XY, and XYZ Axis Models

These stages are a dimensional breakthrough and the smallest positioners available today. Positive spring loaded carriage provides precise, smooth motion with no backlash. Straight line accuracy under 2 microns. Features fine 80 TPI lead screw drive. The larger series, Stage Size B, are for longer travel, higher load applications. Fully metric compatible clearance holes. Covered Rail versions are slightly wider, but offer protection for the guide rails. Accessories allow for mounting our precision pinholes for spatial filtering applications. Anodized aluminum construction with stainless rails.

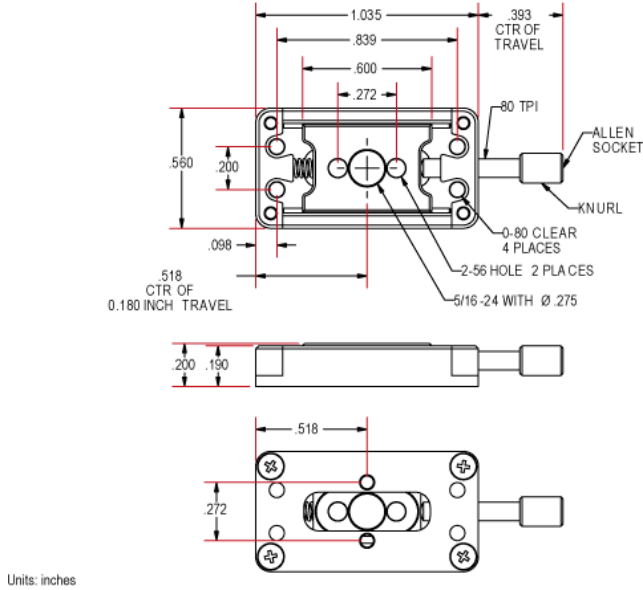
Technical Information



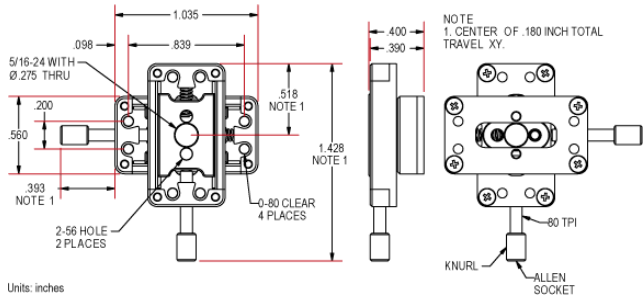
Manual Micro Positioning Stage #38-533



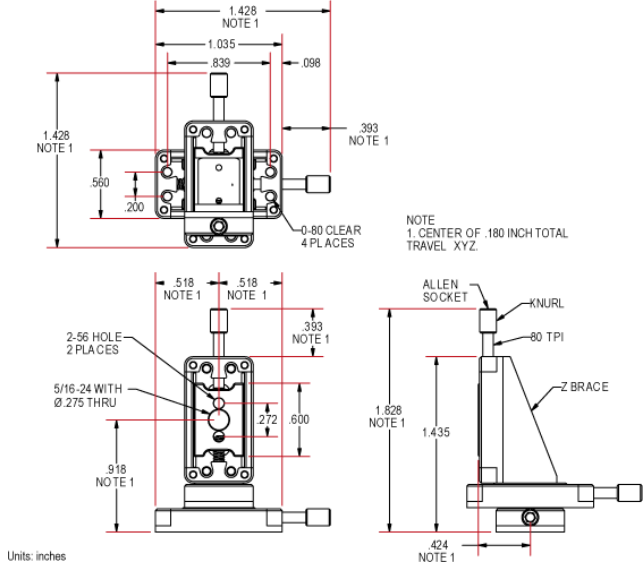
Manual Micro Positioning Stage #56-416



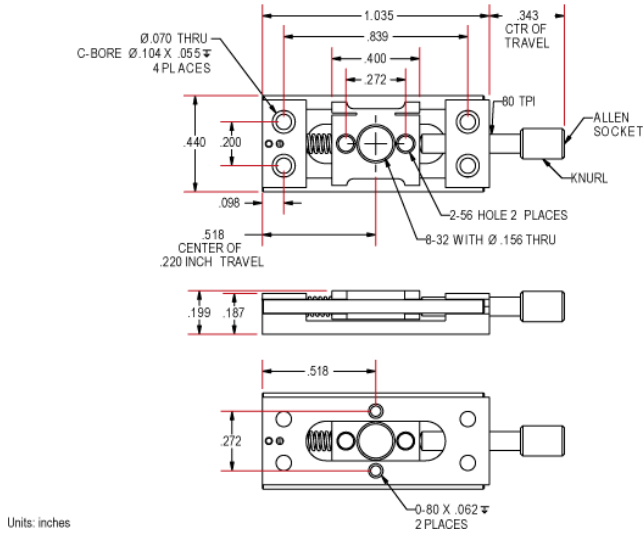
Manual Micro Positioning Stage #56-417

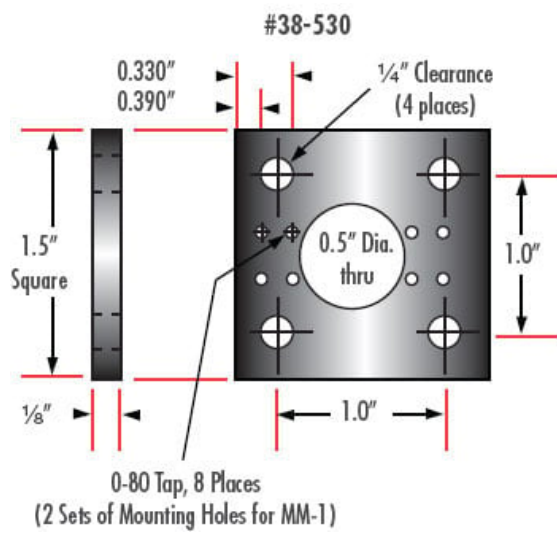


Manual Micro Positioning Stage #56-418

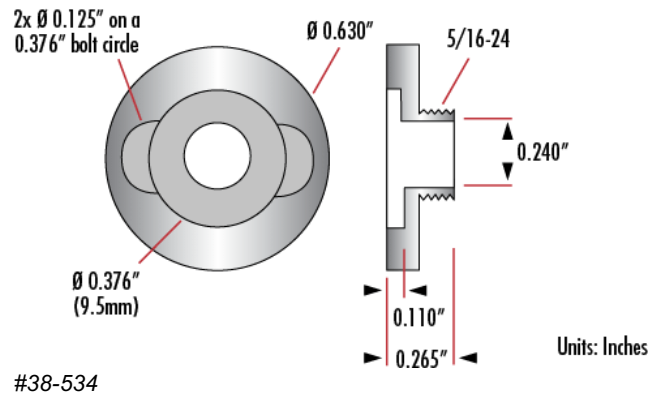


Manual Micro Positioning Stage #56-419





Pinhole Adapter for Stage Type B, #38-534



Pinhole Adapter for Stage Type A, #38-529

