

[See all 41 Products in Family](#)

# Olympus C-Mount 0.35X Camera Adapter

See More by [Olympus](#)



#23-724: Olympus C-Mount 0.35X Camera Adapter

Stock **#23-724** **1 In Stock**

1  **S\$1,869<sup>00</sup>**

**ADD TO CART**

Volume Pricing	
Qty 1+	<b>S\$1,869.00</b> each
Need More?	<a href="#">Request Quote</a>

## Product Downloads

### General

U-TV0.35XC-2 **Model Number:**

Olympus **Manufacturer:**

### Physical & Mechanical Properties

180 **Weight (g):**

### Optical Properties

0.35X

Magnification:

400 - 700

Wavelength Range (nm):

## Regulatory Compliance

[View](#)

Certificate of Conformance:

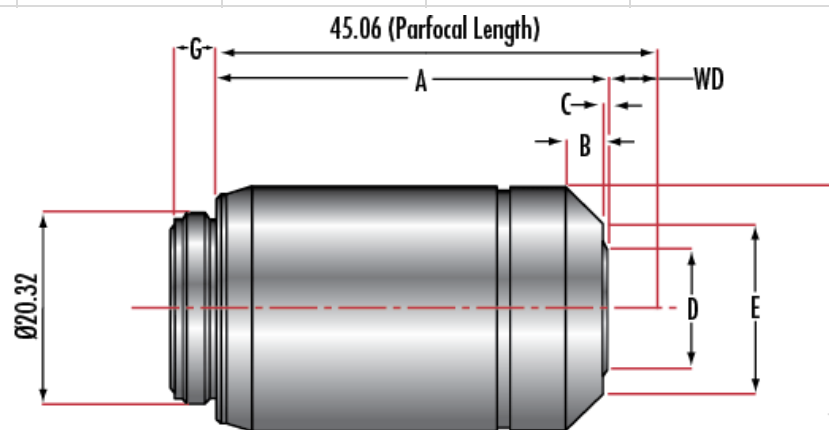
## Product Details

- Ideal for Brightfield, DIC, Fluorescence, or Polarization Microscopy
- Long Working Distances Reduce Risk of Specimen Damage
- Excellent Transmission from 400 – 700nm
- Additional [Olympus Infinity Corrected Objectives](#) Available

Olympus MPlan Fluorite Semi Apochromat Infinity Corrected Objectives are ideal for a range of applications utilizing a variety of illumination methods. Olympus MPlan Fluorite Semi Apochromat Infinity Corrected Objectives offer long working distances to increase specimen safety, in addition to increased contrast for observation. These objectives feature standard pupil positions, which enable the use of multiple [prisms](#) or [polarizers](#) for differential interference contrast (DIC) optical microscopy applications.

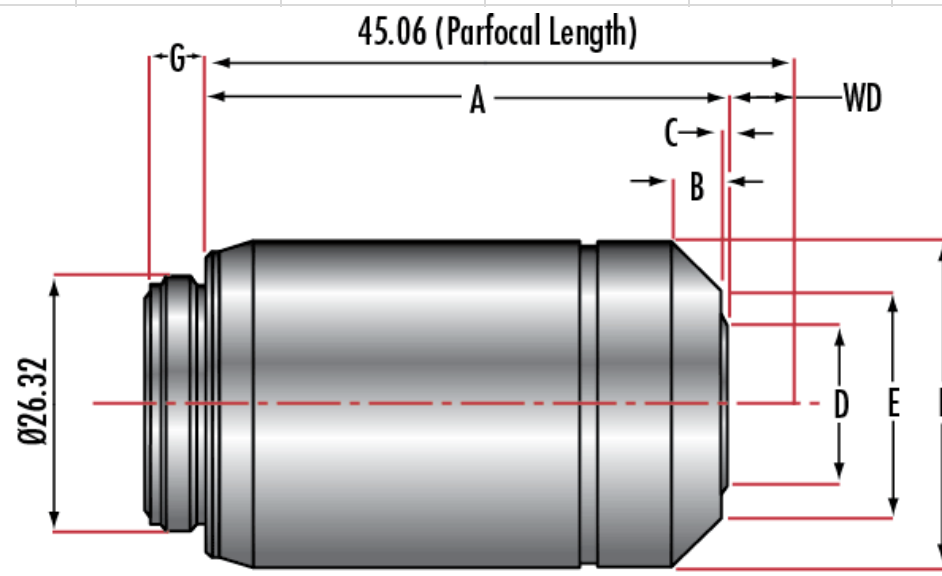
## Technical Information

Stock #	Model	A	B	C	D	E	F	G	WD
<a href="#">#88-202</a>	LMPLFLN 5X	22.5	0.3	-	25.4	-	26.0	4.9	22.5
<a href="#">#88-203</a>	LMPLFLN 10X	24.0	1.9	-	15.2	22.4	26.0	4.5	21.0
<a href="#">#88-204</a>	LMPLFLN 20X	33.0	3.7	-	17.0	-	26.0	4.8	12.0
<a href="#">#88-205</a>	LMPLFLN 50X	34.4	4.0	-	18.2	-	26.0	4.9	10.6
<a href="#">#88-206</a>	LMPLFLN 100X	41.6	3.8	0.5	12.5	18.1	26.0	4.7	3.4
<a href="#">#16-880</a>	MPLFLN 1.25X	41.5	-	-	28.6	29.0	30	4.9	3.5
<a href="#">#39-573</a>	MPLFLN 2.5X	34.3	2.7	-	24.5	29.0	30.0	4.9	10.7
<a href="#">#88-332</a>	MPLFLN 5X	25.0	2.5	-	20.9	-	26.0	4.5	20.0
<a href="#">#88-333</a>	MPLFLN 10X	34.0	5.6	-	14.5	-	26.0	4.5	11.0
<a href="#">#23-721</a>	MXPLFLN 20X	42.0	2.63	2.15	9	20.4	26	4.8	3
<a href="#">#23-722</a>	MXPLFLN 50X	42.0	3.4	1.96	10.3	19	26	4.5	3



Stock #	Model	A	B	C	D	E	F	G	WD
<a href="#">#86-827</a>	LMPLFLN-BD 5X	30.0	2.6	3.4	16.2	29.5	32.0	5.0	15.0
<a href="#">#86-828</a>	LMPLFLN-BD 10X	35.0	2.1	2.7	15.5	30.0	32.0	4.5	10.0
<a href="#">#86-829</a>	LMPLFLN-BD 20X	33.0	1.2	0.5	22.0	30.0	32.0	4.5	12.0
<a href="#">#86-830</a>	LMPLFLN-BD 50X	34.4	1.2	1.4	20.7	28.0	32.0	4.8	10.6

#86-831	LMPLFLN-BD 100X	41.7	1.2	4.0	21.0	29.0	32.0	4.7	3.3
---------	-----------------	------	-----	-----	------	------	------	-----	-----



;