

[See all 49 Products in Family](#)

## TECHSPEC® 8mm, f/5.6 UCi Series Fixed Focal Length Lens



8mm, f/1.8 UCi Series Fixed Focal Length Lens



Stock #28-637 **NEW** [CONTACT US](#)

⊖ 1 ⊕ **\$309<sup>00</sup>**

**ADD TO CART**

### Volume Pricing

Qty 1+	\$309.00 each
Need More?	<a href="#">Request Quote</a>

### Product Downloads

### General

UCi Series	<b>Product Family:</b>
Fixed Focal Length Lens	<b>Type:</b>
Fixed Focal Length Lens	<b>Imaging Lens Type:</b>

### Physical & Mechanical Properties

Fixed	Iris Option:
49.75	Length (mm):
34	Maximum Diameter (mm):
34	Outer Diameter (mm):
25	Weight (g):
4.25	Maximum Rear Protrusion (mm):
44.50	Maximum Length (mm):

## Optical Properties

44.7°	Horizontal Field of View @ Max Sensor Format:
44.7°	Horizontal Field of View, 1/2" Sensor:
40.7°	Horizontal Field of View, 1/2.5" Sensor:
33.9°	Horizontal Field of View, 1/3" Sensor:
25.6°	Horizontal Field of View, 1/4" Sensor:
8.00	Maximum Image Circle (mm):
0.0098	Numerical Aperture NA, Object Side:
9 (8)	Number of Elements (Groups):
8.00	Focal Length FL (mm):
50 - ∞	Working Distance (mm):
f/5.6	Aperture (f/#):
M4 MgF2	Coating:
M4 MgF2	Coating Specification:
22.07	Entrance Pupil Position (mm):
27.98	Object Space Principal Plane (mm):
1.77	Image Space Principal Plane (mm):
6.87	Maximum Distortion (%):
-20.88	Exit Pupil Position (mm):
VIS	Lens Wavelength Range:
VIS	Wavelength:

## Sensor

1/2.5"	Optimized Sensor Format:
1/2"	Maximum Sensor Format:
1.85	Pixel Size (µm):

## Threading & Mounting

M34 X0.05	Filter Thread:
N/a	Filter Thread Adapter:
C-Mount	Mount:

## Environmental & Durability Factors

**Storage Temperature (°C):**

-20 to +60 For questions regarding operating temperature please contact our support team

**Type of Ruggedization:**

Industrial (Fixed Aperture with Simplified Mechanics)

## Regulatory Compliance

**Certificate of Conformance:**

[View](#)

## Product Details

- Up to 1/1.8", C-Mount, S-Mount Lens
- Up to 12 MegaPixels, 1.85µm Pixel Size Sensors
- Instrumentation (UCi) versions of our UC Series Lenses with Streamlined Mechanical Designs and Fixed Apertures
- 4mm to 35mm Focal Length

TECHSPEC® UCi Series Fixed Focal Length Lenses utilize the same optics as the TECHSPEC UC Series Lenses and feature 4K resolution. These lenses are designed for small pixels  $\leq 2.2\mu\text{m}$  and offer a wide range of fixed apertures for a variety of applications. While optimized for 1/2.5" sensors, many focal length options can be used on sensors up to 1/1.8". TECHSPEC® UCi Series Fixed Focal Length Lenses are ideal for OEM applications that require small, robust, and lightweight imaging solutions.

**Note:** For adjustable aperture options, see our [TECHSPEC® UC Series Fixed Focal Length Lenses](#).

Edmund Optics has created a family of high-performance ultra-compact optical designs (the UC Series family) and developed 3 customized optomechanical solutions targeted for specific applications. These lens sub-families utilize the same optics as the UC Series lenses providing the same optical performance in a variety of optomechanical solutions to meet your application requirements:

**UC Series:** Features locking cam focus and iris adjustment in an ultra-compact design and is the most adjustable version of these optical designs; they are the typical high-quality machine vision lenses.

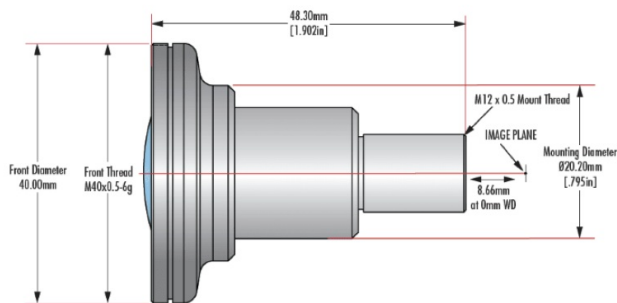
**UCi Series:** Simplified mechanics featuring fixed apertures with compact housing. [Industrial Ruggedization](#) for reduced size, cost, and locked focus.

**UCr Series:** All optics glued in place and a locking C-clamp focus ring. [Stabilized Ruggedization](#) for reduced pixel shift and improved focus stability.

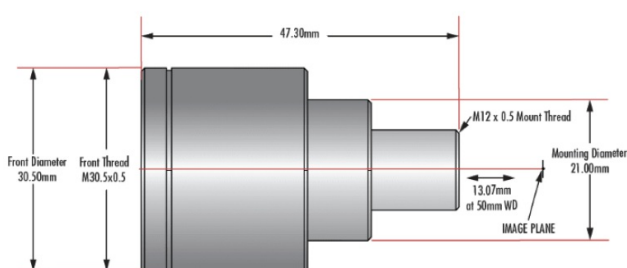
**UCw Series:** Waterproof, designed to meet IEC [Ingress Protection](#) Code IPX7 to withstand exposure to water up to 1 meter depth for 30 minutes.

## Technical Information

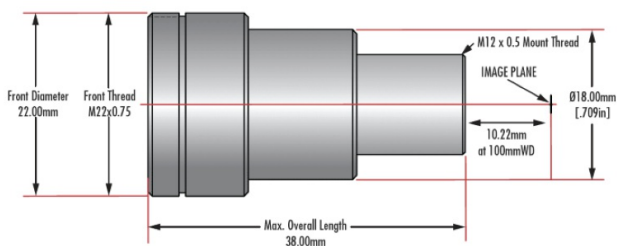
### 4mm Focal Length



### 6mm Focal Length



### 12mm Focal Length



### 16mm Focal Length



### 25mm Focal Length



### 35mm Focal Length

