

[See all 18 Products in Family](#)

TECHSPEC® 70mm, 120mm Radius, Metric Goniometer



TECHSPEC® Goniometers



Stock #66-535 [CONTACT US](#)

- 1 + **\$\$1,085⁰⁰**

ADD TO CART

Volume Pricing	
Qty 1-2	\$\$1,085.00 each
Qty 3+	\$\$945.00 each
Need More?	Request Quote

Product Downloads

General

Type:
Metric

Resolution (arcmin):
5

Physical & Mechanical Properties

Type of Movement:

Goniometer	
70 x 70	Stage Size (mm):
±10	Travel (°):
Aluminium Stage	Construction:
0.5	Leadscrew Pitch (mm):
6	Load Capacity (kg):
120	Radius R (mm):
2.75 x 2.75	Stage Size (inches):
0.3	Weight (kg):

Hardware & Interface Connectivity

Lead Screw	Type of Drive:
------------	-----------------------

Threading & Mounting

(9) M6 x 1, (4) M3 x 0.5, (8) M2 x 0.4	Mounting Threads:
--	--------------------------

Regulatory Compliance

Compliant	RoHS 2015:
View	Certificate of Conformance:
Compliant	REACH 241:

Product Details

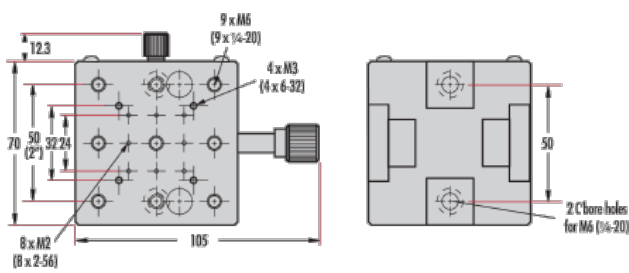
70mm and 125mm stages mount directly and do not require bottom adapter plates.

- Metric and English Hole Patterns Available
- Stackable for Two-Axis Rotation
- Mechanically Compatible with our [TECHSPEC® Stages](#)

TECHSPEC® Goniometers allow for precise angular adjustment of an object about a fixed point located above the center of the mounting surface. They provide true tip and tilt adjustment of any optical component and are often used to accurately direct lasers and align mirrors in beam steering applications. These goniometers are available in with Metric and English hole patterns. TECHSPEC® Goniometers are available in different plate sizes to accommodate a host of applications. Each size is offered in several radii of movement for easily stacking into two axis configurations. To provide motion about a common point in two different axes, mount goniometer stages with smaller radii on top of those with larger radii of the same stage size.

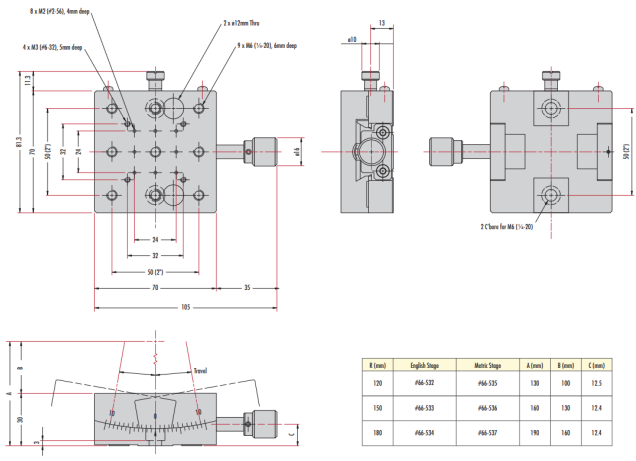
Each goniometer stage features precision movement along a dovetail design with a vernier scale for high-resolution measurements and movement repeatability. A locking thumbscrew allows each to be held securely in place. 30mm and 40mm goniometer stages are constructed of durable black painted brass, while 70mm goniometer stages are constructed of black anodized aluminum. [Bottom adapter plates](#), sold separately, are required to mount 30mm and 40mm stages to standard breadboards; 70mm stages will mount directly.

Technical Information



Bottom Stage	Top Stage																						
	30mm Linear Dovetail	30mm Linear	30mm Vertical	30mm Tip/Tilt	30mm Goniometer	30mm Rotary	40mm Linear Dovetail	40mm Linear	40mm Vertical	40mm Tip/Tilt	40mm Goniometer	40mm Rotary	70mm Linear	70mm Vertical	70mm Tip/Tilt	70mm Goniometer	70mm Rotary	125mm Linear	125mm Vertical	125mm Tip/Tilt	125mm Rotary		
30mm Linear Dovetail	Compatible	Not Applicable	Not Applicable	Not Applicable	Not Applicable	Not Applicable	Not Applicable	Not Applicable	Not Applicable	Not Applicable	Not Applicable	Not Applicable	Not Applicable	Not Applicable	Not Applicable	Not Applicable	Not Applicable	Not Applicable	Not Applicable	Not Applicable	Not Applicable	Not Applicable	Not Applicable
30mm Linear	Not Applicable	Compatible	Not Applicable	Not Applicable	Not Applicable	Not Applicable	Not Applicable	Not Applicable	Not Applicable	Not Applicable	Not Applicable	Not Applicable	Not Applicable	Not Applicable	Not Applicable	Not Applicable	Not Applicable	Not Applicable	Not Applicable	Not Applicable	Not Applicable	Not Applicable	Not Applicable
30mm Vertical	Not Applicable	Not Applicable	Compatible	Not Applicable	Not Applicable	Not Applicable	Not Applicable	Not Applicable	Not Applicable	Not Applicable	Not Applicable	Not Applicable	Not Applicable	Not Applicable	Not Applicable	Not Applicable	Not Applicable	Not Applicable	Not Applicable	Not Applicable	Not Applicable	Not Applicable	Not Applicable
30mm Tip/Tilt	Not Applicable	Not Applicable	Not Applicable	Compatible	Not Applicable	Not Applicable	Not Applicable	Not Applicable	Not Applicable	Not Applicable	Not Applicable	Not Applicable	Not Applicable	Not Applicable	Not Applicable	Not Applicable	Not Applicable	Not Applicable	Not Applicable	Not Applicable	Not Applicable	Not Applicable	Not Applicable
30mm Goniometer	Not Applicable	Not Applicable	Not Applicable	Not Applicable	Compatible	Not Applicable	Not Applicable	Not Applicable	Not Applicable	Not Applicable	Not Applicable	Not Applicable	Not Applicable	Not Applicable	Not Applicable	Not Applicable	Not Applicable	Not Applicable	Not Applicable	Not Applicable	Not Applicable	Not Applicable	Not Applicable
30mm Rotary	Not Applicable	Not Applicable	Not Applicable	Not Applicable	Not Applicable	Compatible	Not Applicable	Not Applicable	Not Applicable	Not Applicable	Not Applicable	Not Applicable	Not Applicable	Not Applicable	Not Applicable	Not Applicable	Not Applicable	Not Applicable	Not Applicable	Not Applicable	Not Applicable	Not Applicable	Not Applicable
40mm Linear Dovetail	Not Applicable	Not Applicable	Not Applicable	Not Applicable	Not Applicable	Not Applicable	Compatible	Not Applicable	Not Applicable	Not Applicable	Not Applicable	Not Applicable	Not Applicable	Not Applicable	Not Applicable	Not Applicable	Not Applicable	Not Applicable	Not Applicable	Not Applicable	Not Applicable	Not Applicable	Not Applicable
40mm Linear	Not Applicable	Not Applicable	Not Applicable	Not Applicable	Not Applicable	Not Applicable	Not Applicable	Compatible	Not Applicable	Not Applicable	Not Applicable	Not Applicable	Not Applicable	Not Applicable	Not Applicable	Not Applicable	Not Applicable	Not Applicable	Not Applicable	Not Applicable	Not Applicable	Not Applicable	Not Applicable
40mm Vertical	Not Applicable	Not Applicable	Not Applicable	Not Applicable	Not Applicable	Not Applicable	Not Applicable	Not Applicable	Compatible	Not Applicable	Not Applicable	Not Applicable	Not Applicable	Not Applicable	Not Applicable	Not Applicable	Not Applicable	Not Applicable	Not Applicable	Not Applicable	Not Applicable	Not Applicable	Not Applicable
40mm Tip/Tilt	Not Applicable	Not Applicable	Not Applicable	Not Applicable	Not Applicable	Not Applicable	Not Applicable	Not Applicable	Not Applicable	Compatible	Not Applicable	Not Applicable	Not Applicable	Not Applicable	Not Applicable	Not Applicable	Not Applicable	Not Applicable	Not Applicable	Not Applicable	Not Applicable	Not Applicable	Not Applicable
40mm Goniometer	Not Applicable	Not Applicable	Not Applicable	Not Applicable	Not Applicable	Not Applicable	Not Applicable	Not Applicable	Not Applicable	Not Applicable	Compatible	Not Applicable	Not Applicable	Not Applicable	Not Applicable	Not Applicable	Not Applicable	Not Applicable	Not Applicable	Not Applicable	Not Applicable	Not Applicable	Not Applicable
40mm Rotary	Not Applicable	Not Applicable	Not Applicable	Not Applicable	Not Applicable	Not Applicable	Not Applicable	Not Applicable	Not Applicable	Not Applicable	Not Applicable	Compatible	Not Applicable	Not Applicable	Not Applicable	Not Applicable	Not Applicable	Not Applicable	Not Applicable	Not Applicable	Not Applicable	Not Applicable	Not Applicable
65mm Linear Dovetail	Not Applicable	Not Applicable	Not Applicable	Not Applicable	Not Applicable	Not Applicable	Not Applicable	Not Applicable	Not Applicable	Not Applicable	Not Applicable	Not Applicable	Compatible	Not Applicable	Not Applicable	Not Applicable	Not Applicable	Not Applicable	Not Applicable	Not Applicable	Not Applicable	Not Applicable	Not Applicable
70mm Linear	Not Applicable	Not Applicable	Not Applicable	Not Applicable	Not Applicable	Not Applicable	Not Applicable	Not Applicable	Not Applicable	Not Applicable	Not Applicable	Not Applicable	Not Applicable	Compatible	Not Applicable	Not Applicable	Not Applicable	Not Applicable	Not Applicable	Not Applicable	Not Applicable	Not Applicable	Not Applicable
70mm Vertical	Not Applicable	Not Applicable	Not Applicable	Not Applicable	Not Applicable	Not Applicable	Not Applicable	Not Applicable	Not Applicable	Not Applicable	Not Applicable	Not Applicable	Not Applicable	Not Applicable	Compatible	Not Applicable	Not Applicable	Not Applicable	Not Applicable	Not Applicable	Not Applicable	Not Applicable	Not Applicable
70mm Tip/Tilt	Not Applicable	Not Applicable	Not Applicable	Not Applicable	Not Applicable	Not Applicable	Not Applicable	Not Applicable	Not Applicable	Not Applicable	Not Applicable	Not Applicable	Not Applicable	Not Applicable	Not Applicable	Compatible	Not Applicable	Not Applicable	Not Applicable	Not Applicable	Not Applicable	Not Applicable	Not Applicable
70mm Goniometer	Not Applicable	Not Applicable	Not Applicable	Not Applicable	Not Applicable	Not Applicable	Not Applicable	Not Applicable	Not Applicable	Not Applicable	Not Applicable	Not Applicable	Not Applicable	Not Applicable	Not Applicable	Not Applicable	Compatible	Not Applicable	Not Applicable	Not Applicable	Not Applicable	Not Applicable	Not Applicable
70mm Rotary	Not Applicable	Not Applicable	Not Applicable	Not Applicable	Not Applicable	Not Applicable	Not Applicable	Not Applicable	Not Applicable	Not Applicable	Not Applicable	Not Applicable	Not Applicable	Not Applicable	Not Applicable	Not Applicable	Not Applicable	Compatible	Not Applicable	Not Applicable	Not Applicable	Not Applicable	Not Applicable
125mm Linear	Not Applicable	Not Applicable	Not Applicable	Not Applicable	Not Applicable	Not Applicable	Not Applicable	Not Applicable	Not Applicable	Not Applicable	Not Applicable	Not Applicable	Not Applicable	Not Applicable	Not Applicable	Not Applicable	Not Applicable	Not Applicable	Compatible	Not Applicable	Not Applicable	Not Applicable	Not Applicable
125mm Vertical	Not Applicable	Not Applicable	Not Applicable	Not Applicable	Not Applicable	Not Applicable	Not Applicable	Not Applicable	Not Applicable	Not Applicable	Not Applicable	Not Applicable	Not Applicable	Not Applicable	Not Applicable	Not Applicable	Not Applicable	Not Applicable	Not Applicable	Compatible	Not Applicable	Not Applicable	Not Applicable
125mm Tip/Tilt	Not Applicable	Not Applicable	Not Applicable	Not Applicable	Not Applicable	Not Applicable	Not Applicable	Not Applicable	Not Applicable	Not Applicable	Not Applicable	Not Applicable	Not Applicable	Not Applicable	Not Applicable	Not Applicable	Not Applicable	Not Applicable	Not Applicable	Not Applicable	Compatible	Not Applicable	Not Applicable
125mm Rotary	Not Applicable	Not Applicable	Not Applicable	Not Applicable	Not Applicable	Not Applicable	Not Applicable	Not Applicable	Not Applicable	Not Applicable	Not Applicable	Not Applicable	Not Applicable	Not Applicable	Not Applicable	Not Applicable	Not Applicable	Not Applicable	Not Applicable	Not Applicable	Not Applicable	Compatible	Not Applicable

70mm Gonimeters



Ø (mm)	English Step	Metric Step	A (mm)	B (mm)	C (mm)
120	M6-1.25	M6-1.25	130	190	12.5
130	M6-1.25	M6-1.25	140	190	12.4
160	M6-1.25	M6-1.25	190	190	12.4