

**TECHSPEC® 6.25mm Diameter, S-Mount Thick Optic Mount**



Stock #63-949 **15 In Stock**

⊖ 1 ⊕ **\$57<sup>05</sup>**

**ADD TO CART**

Volume Pricing	
Qty 1-4	<b>\$57.05</b> each
Qty 5-9	<b>\$51.24</b> each
Qty 10-25	<b>\$47.60</b> each
Need More?	<a href="#">Request Quote</a>

Product Downloads

**General**

Fixed **Type:**

Optic Mount (Fixed) **Function:**

Circular **Type of Optics:**

## Physical & Mechanical Properties

9.7 Extension Length (mm):

12.7 Total Length (mm):

2.0 Min. Thickness of Compatible Optics (mm):

6.5 Max. Thickness of Compatible Optics (mm):

5.2 Clear Aperture CA (mm):

16.00 Outer Diameter (mm):

## Threading & Mounting

S-Mount Thread Type:

6.25 Diameter of Compatible Optics (mm):

## Regulatory Compliance

Compliant RoHS 2015:

View Certificate of Conformance:

Compliant REACH 241:

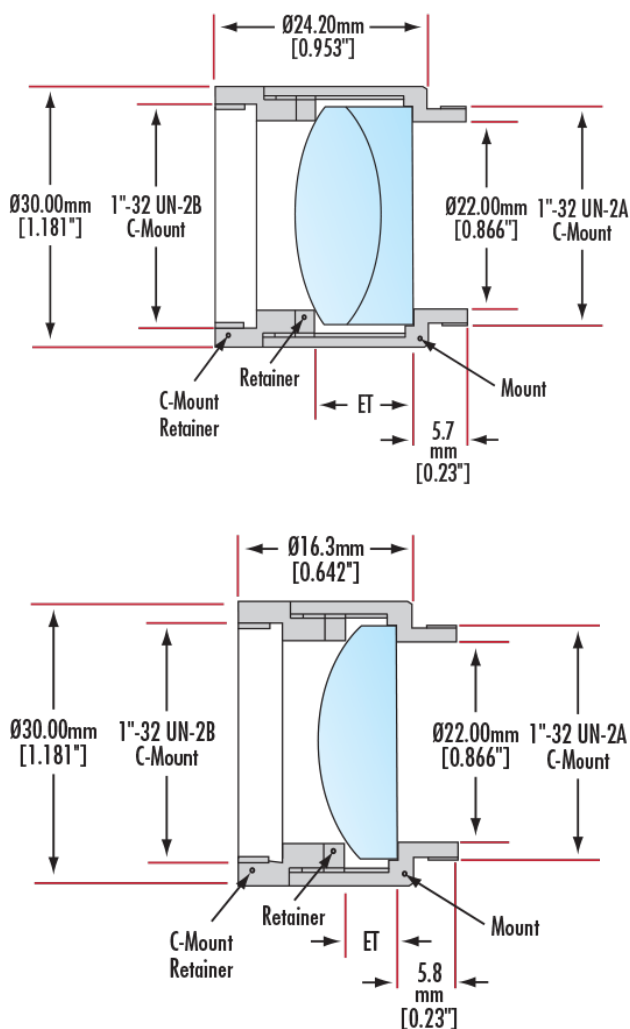
## Product Details

- Mounts for Simple Lenses, Achromats, Filters, or Reticles
- Designed to Integrate with Any C, S, or T-Mount Components
- Optic is Held in Place with Included Retaining Ring

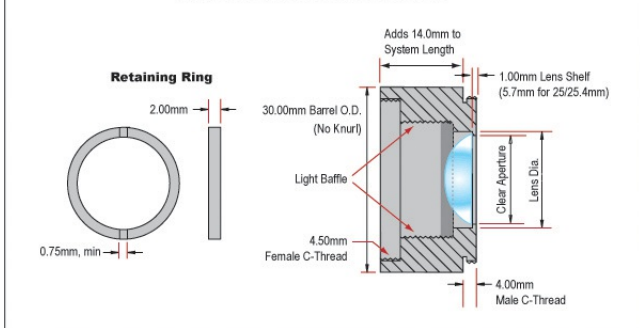
TECHSPEC® C, S, and T-Mount Circular Optic Mounts are designed to mount a variety of circular optical components into C, S, or T-Mount compatible systems. An included threaded retainer ring, designed to accept a standard spanner wrench, securely holds the optical component. These circular optic mounts are compatible with a wide variety of Edmund Optics optomechanical components utilizing C, S, or T-Mount threads, such as [extension tubes](#) and [kinematic mounts](#). TECHSPEC® C, S, and T-Mount Circular Optic Mounts are threaded for 1" x 32TPI, M12 x 0.5, or M42 x 0.75 mounting, with 30mm, 16mm, and 48mm outer diameters, respectively. These mounts are ideal for creating and personalization of a diverse range of optical systems.

**Note:** [#56-353](#), [#56-354](#), [#52-933](#), and [#52-292](#) are all 3-part assemblies

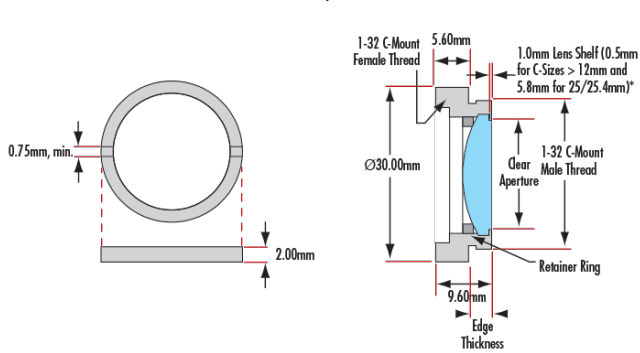
## Technical Information



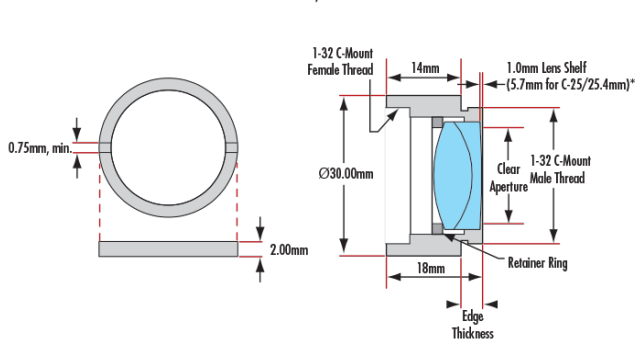
**C-Mount Achromat/Thick Lens Mounts**



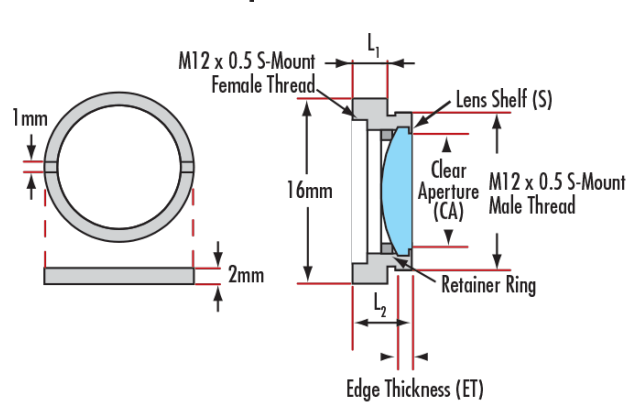
**C-Thread Simple / Thin Lens Mount**



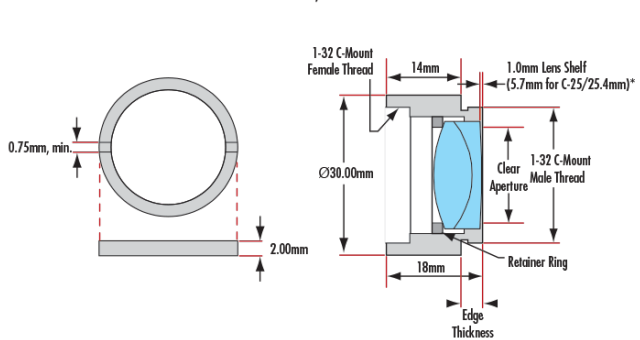
**C-Thread Achromat / Thick Lens Mount**



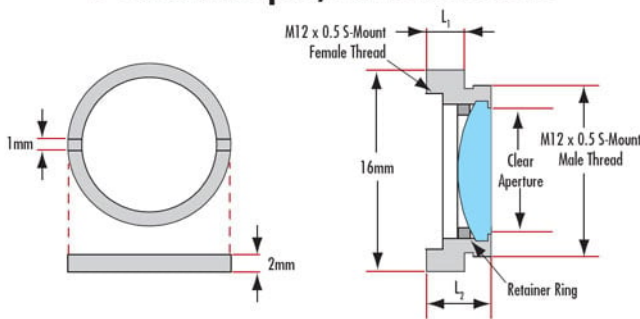
**S-Thread Simple / Thin Lens Mount**



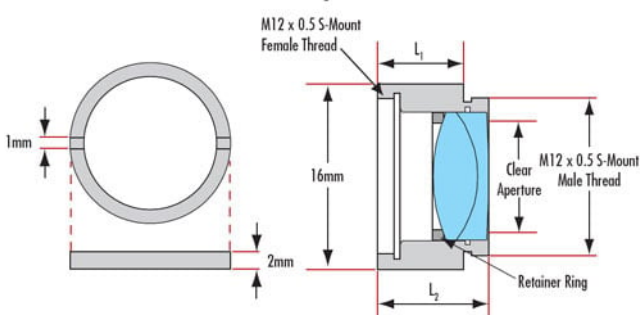
**C-Thread Achromat / Thick Lens Mount**

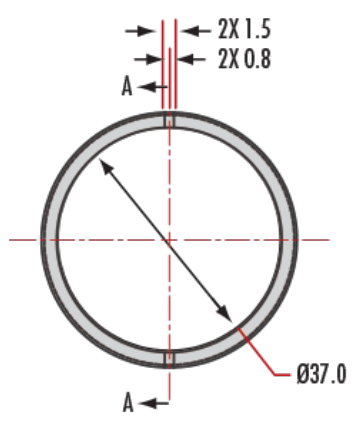


**S-Thread Simple /Thin Lens Mount**



**S-Thread Achromat / Thick Lens Mount**





#58-741

