

5X 65mm WD, In-Line Illumination Telecentric Lens



Stock #62-794 [CONTACT US](#)

S\$1,815⁰⁰

ADD TO CART

Volume Pricing

Qty 1+	S\$1,815.00 each
Need More?	Request Quote

Product Downloads

General

Product Family:
In-Line Illumination C-Mount Telecentric Lenses

Type:
Telecentric Lens

Compatible Light Guide/Source:
1/4" (0.312")

Type of Illumination:
In-Line Illumination

Physical & Mechanical Properties

Length (mm):

92.00

0.312 Ferrule Diameter (inches):

17.0 Maximum Diameter (mm):

Optical Properties

Horizontal Field of View @ Max Sensor Format:
1.8mm

Horizontal Field of View, 2/3" Sensor:
1.8mm

Horizontal Field of View, 1/2" Sensor:
1.2mm

Maximum Image Circle (mm):
11.00

Primary Magnification PMAG:
5X

Telecentric Lens Magnification:
5.00

Working Distance (mm):
65.00

Aperture (f/#):
f/30.6

Distortion (%):
≤0.1

Magnification:
5X

Lens Wavelength Range:
VIS

Sensor

Maximum Sensor Format:
2/3"

Pixel Size (µm):
4.20

Threading & Mounting

Filter Thread:
N/A

Mount:
C-Mount

Regulatory Compliance

Certificate of Conformance:
[View](#)

Product Details

- Fiber Optic Input for In-line Illumination
- Long Working Distance
- 2/3" Max Sensor Format

This compact series of telecentric lenses offers a versatile solution for many applications. The compact size and long working distance are necessary for some environments. Each lens offers an in-line illumination port that accepts a ¼" fiber optic light guide. In-line illumination is convenient for situations in which there is no room for light sources between the lens and the object under test. Although contrast may decrease compared to other lighting techniques, the 1X through 6X lenses offer extremely even in-line illumination over a 10mm horizontal sensor size. These lenses offer the same measuring advantages as our other telecentric lenses. They correct perspective errors throughout the depth of field to avoid changes in magnification. This correction is vital to the majority of automated measurement applications. M3 set screws are incorporated in the in-line illumination port to secure the light guide. Each lens also includes a lockable ring to rotate the lens and ensure alignment with the camera sensor.

Note: ¼" [Fiber optic light guides](#) are sold separately.

Technical Information

Magnification	A	B	C	D
0.5X	170mm	25mm	113mm	40mm
0.75X	160mm	42mm	86mm	29.5mm
1X	137mm	34mm	71mm	29.5mm
2X	110mm	33mm	45mm	17mm
3X	100mm	23mm	45mm	17mm
4X	110mm	33mm	45mm	17mm
5X	115mm	38mm	45mm	17mm

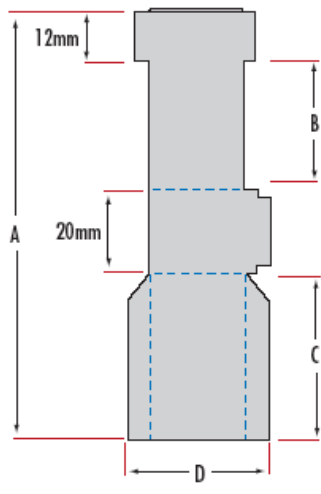
6X

120mm

43mm

45mm

17mm



;