

5X 120i Plan APO Infinity Corrected Objectives



5X 120i Plan APO Infinity Corrected Objectives



Stock **#15-941** **2 In Stock**

S\$1,008⁰⁰

ADD TO CART

Volume Pricing	
Qty 1+	S\$1,008.00 each
Need More?	Request Quote

Product Downloads

General

Compatible Tube Lens Focal Length (mm):
Focal Length: 120mm

Type:
Microscope Objective

Style:
Infinity Corrected

Manufacturer:
Edmund Optics®

Physical & Mechanical Properties

Length (mm):

21.50

Length excluding Threads (mm):

21.50

Maximum Diameter (mm):

35

Weight (g):

55

Optical Properties

Horizontal Field of View, 1/2" Sensor:

1.28mm

Horizontal Field of View, 2/3" Sensor:

1.76mm

Horizontal Field of View, 1.1" Sensor:

2.82mm

Focal Length FL (mm):

24.00

Magnification:

5X

Numerical Aperture NA:

0.14

Resolving Power (μm):

2

Depth of Field (μm):

14.00

Working Distance (mm):

13.5

Wavelength Range (nm):

400 - 700

Field Number (mm):

17.6

Parfocal Length (mm):

35

Sensor

Maximum Sensor Format:

1.1"

Threading & Mounting

Mounting Threads:

1" x 32 TPI

Environmental & Durability Factors

Operating Temperature ($^{\circ}\text{C}$):

+10 to +40

Regulatory Compliance

RoHS 2015:

Compliant

Certificate of Conformance:

[View](#)

Reach 240:

Contains SVHC(s)

Need different specs or modifications?

Edmund Optics offers comprehensive custom manufacturing services for optical and imaging components tailored to your specific application requirements. Whether in the prototyping phase or preparing for full-scale production, we provide flexible solutions to meet your needs. Our experienced engineers are here to assist—from concept to completion.

Our capabilities include:

- Custom dimensions, materials, coatings, and more
- High-precision surface quality and flatness
- Tight tolerances and complex geometries
- Scalable production—from prototype to volume

Learn more about our [custom manufacturing capabilities](#) or submit an inquiry [here](#).

Product Details

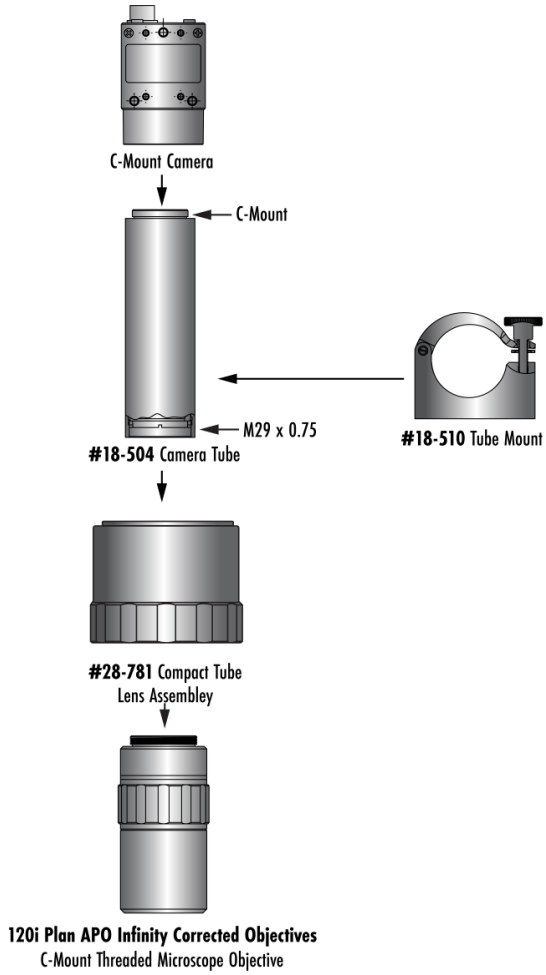
- Up to 43% Smaller than Industry Standard Systems
- Optimized Performance up to 1.1" Sensor
- Ideal for Life Science and Industrial Applications
- Winner of the [2023 Bronze VSD Innovators Award](#)

Edmund Optics® 120i Plan APO Infinity Corrected Objectives are infinite conjugate microscope objectives that offer exceptional image flatness and chromatic correction over 400-700nm. These objectives were designed for a 1.1" sensor to offer a large field of view and reliable image quality for high-throughput imaging applications. Ideal for life science and machine vision applications such as microscopy, flow cytometry, pharmaceutical inspection, and assembly line or fault inspection.

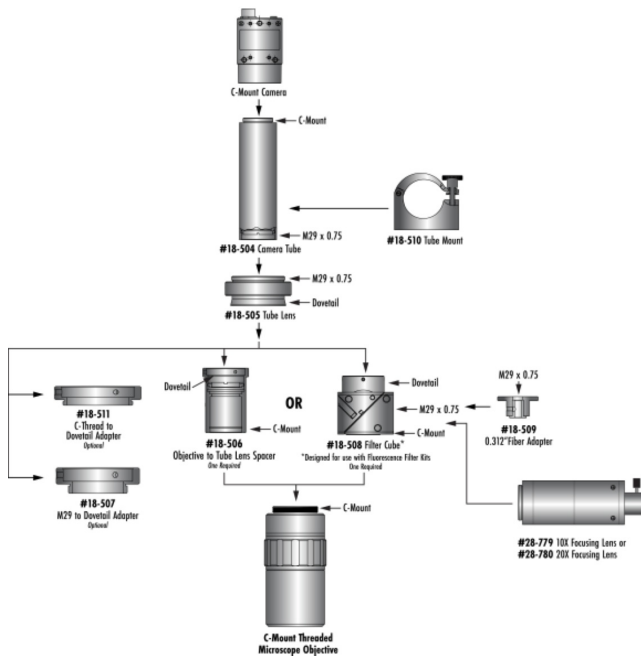
These objectives won the [2023 Bronze VSD Innovators Award](#).

Technical Information

Compact Tube Lens System



Standard Tube Lens System



#15-941 Reference Transmission Plot

