

[See all 57 Products in Family](#)

TECHSPEC® 50mm Diameter, T-Mount Thick Optic Mount



50mm Diameter, T-Mount Achromat/Thick Lens Mount, #88-944



Stock **#88-944** **20+ In Stock**

⊖ 1 ⊕ **\$\$151²⁰**

ADD TO CART

Volume Pricing	
Qty 1-4	\$\$151.20 each
Qty 5-9	\$\$131.46 each
Qty 10-25	\$\$120.82 each
Need More?	Request Quote

Product Downloads

General

Fixed **Type:**

Optic Mount (Fixed) **Function:**

Type of Optics:

Circular

Physical & Mechanical Properties

32.5 **Extension Length (mm):**

35.95 **Total Length (mm):**

5.0 **Min. Thickness of Compatible Optics (mm):**

18.5 **Max. Thickness of Compatible Optics (mm):**

38.0 **Clear Aperture CA (mm):**

Black Anodized Aluminum (6061 T6) **Construction:**

53.0 **Outer Diameter (mm):**

Threading & Mounting

T-Mount **Thread Type:**

50.0 **Diameter of Compatible Optics (mm):**

Regulatory Compliance

[Compliant](#) **RoHS 2015:**

[View](#) **Certificate of Conformance:**

[Compliant](#) **REACH 241:**

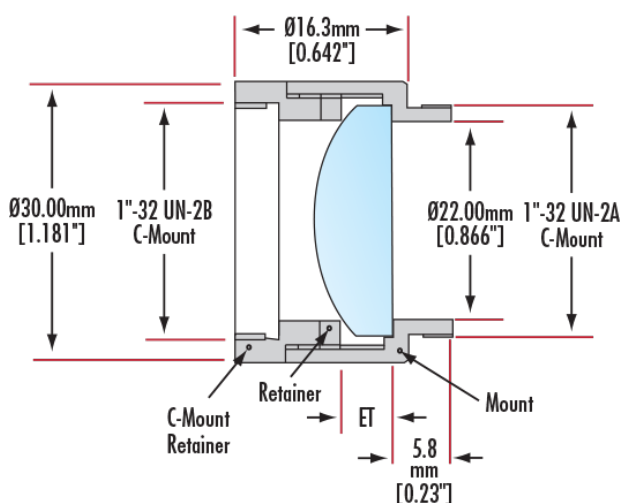
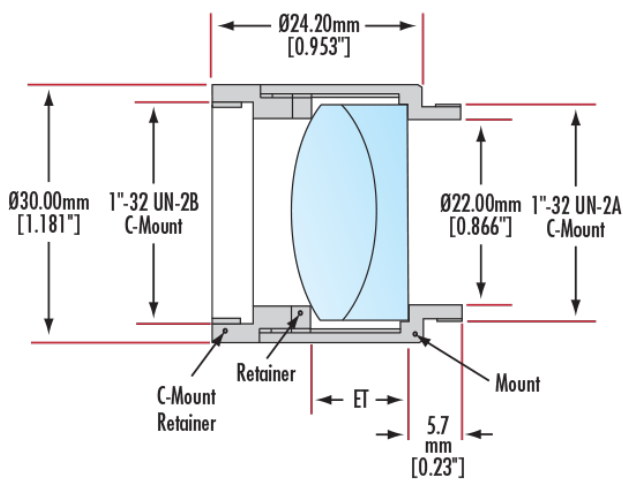
Product Details

- Mounts for Simple Lenses, Achromats, Filters, or Reticles
- Designed to Integrate with Any C, S, or T-Mount Components
- Optic is Held in Place with Included Retaining Ring

TECHSPEC® C, S, and T-Mount Circular Optic Mounts are designed to mount a variety of circular optical components into C, S, or T-Mount compatible systems. An included threaded retainer ring, designed to accept a standard spanner wrench, securely holds the optical component. These circular optic mounts are compatible with a wide variety of Edmund Optics optomechanical components utilizing C, S, or T-Mount threads, such as [extension tubes](#) and [kinematic mounts](#). TECHSPEC® C, S, and T-Mount Circular Optic Mounts are threaded for 1" x 32TPI, M12 x 0.5, or M42 x 0.75 mounting, with 30mm, 16mm, and 48mm outer diameters, respectively. These mounts are ideal for creating and personalization of a diverse range of optical systems.

Note: #56-353, #56-354, #52-933, and #52-292 are all 3-part assemblies

Technical Information





S-Thread Simple / Thin Lens Mount



S-Thread Simple / Thin Lens Mount



S-Thread Achromat / Thick Lens Mount





#58-741

