

[See all 3 Products in Family](#)

50.0/50.8mm Optic Dia., E-Series Clear Edge Kinematic Mount



#17-280, 50.0/50.8mm Optic Dia., E-Series Clear Edge Kinematic Mount

Stock **#17-280** **5 In Stock**

⊖ 1 ⊕ **S\$159⁰⁰**

ADD TO CART

| Volume Pricing | |
|----------------|-------------------------------|
| Qty 1-9 | S\$159.60 each |
| Qty 10-19 | S\$151.62 each |
| Qty 20+ | S\$143.64 each |
| Need More? | Request Quote |

Product Downloads

General

Adjustable - Tip-Tilt **Type:**

Circular **Type of Optics:**

2 **Number of Adjustment Screws:**

Physical & Mechanical Properties

46 Clear Aperture CA (mm):

Construction:
Aluminum Plates, Stainless Steel Screws, and Brass Thread Bushings

Fine Tilt Angle (°):
±3.5

Fine Tip Angle (°):
±3.5

Adjustment Screw Pitch (mm):
0.25

Min. Thickness of Compatible Optics (mm):
2

Optical Axis Height (mm):
38.10

Threading & Mounting

Size of Compatible Optics (mm):
50.0 - 50.8

Compatible Post:
M6 x 1.0, M4 x 0.7, 8-32

Regulatory Compliance

RoHS 2015:
Compliant

Certificate of Conformance:
View

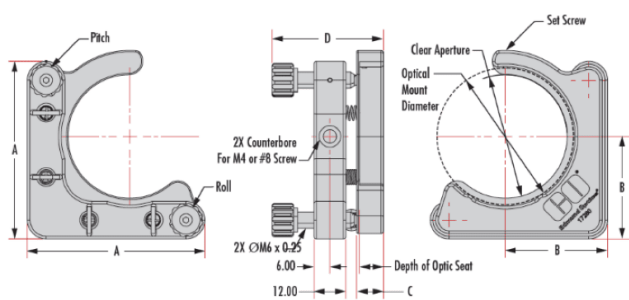
Reach 247:
Compliant

Product Details

- 120° Clear Edge for Mounting Beamsplitters and Transmissive Optics
- Economically Priced
- Essential Mounts for Experiments and OEM Systems

E-Series Clear Edge Kinematic Optical Mirror Mounts offer many features essential for applications in R&D, prototyping, and system integration. Featuring a 120° cut out, these mounts are ideal for mounting beamsplitters and transmissive optics while accommodating a wider beam path when mounted at a 45° angle. The two M6 x 0.25 (101.6 TPI) adjustment screws provide smooth movement and can be driven by hand or by Allen key (2mm key size) for tip and tilt optical adjustment and alignment (±3.5°). The adjustment screw knobs are removable to create a more compact form factor. E-Series Clear Edge Kinematic Optical Mirror Mounts feature mounting holes with both a counterbore designed to accommodate M4 or 8-32 mounting hardware, and M6 x 1.0 internal threads for increased mounting versatility and direct compatibility to [TECHSPEC® Stainless Steel Mounting Posts](#) and [Pedestal Posts](#).

Technical Information



| Dimensions | | | | |
|-------------------------|--------|--------|--------|--------|
| Optical Mount Dia. (mm) | A (mm) | B (mm) | C (mm) | D (mm) |
| 12.5/12.7 | 43.5 | 25.4 | 8.0 | 39.5 |
| 25/25.4 | 43.5 | 25.4 | 8.0 | 39.5 |
| 50/50.8 | 66.0 | 38.1 | 10.0 | 41.5 |