

[See all 12 Products in Family](#)

4X Objective, CFI Plan Apo Lambda D

See More by [Nikon](#)



Stock #75-362 **NEW** [CONTACT US](#)

⊖ 1 ⊕ **\$\$\$3,353⁰⁰**

ADD TO CART

Volume Pricing	
Qty 1+	\$\$\$3,353.00 each
Need More?	Request Quote

Product Downloads

General

Model Number:
MRD70040

Compatible Tube Lens Focal Length (mm):
Focal Length: 200mm

Type:
Microscope Objective

Style:
Infinity Corrected

Manufacturer:
Nikon

Physical & Mechanical Properties

6.25 **Field of View (mm):**

39.90 **Length excluding Threads (mm):**

30 **Maximum Diameter (mm):**

135 **Weight (g):**

Optical Properties

0-0.17 **Compatible Cover Glass Thickness (mm):**

1.6 **Horizontal Field of View, 1/2" Sensor:**

2.2 **Horizontal Field of View, 2/3" Sensor:**

4X **Magnification:**

0.20 **Numerical Aperture NA:**

20 **Working Distance (mm):**

25 **Field Number (mm):**

60.06 **Parfocal Length (mm):**

N/A **Immersion Liquid:**

Sensor

2/3" **Maximum Sensor Format:**

Threading & Mounting

M25 x 0.75 **Mounting Threads:**

Regulatory Compliance

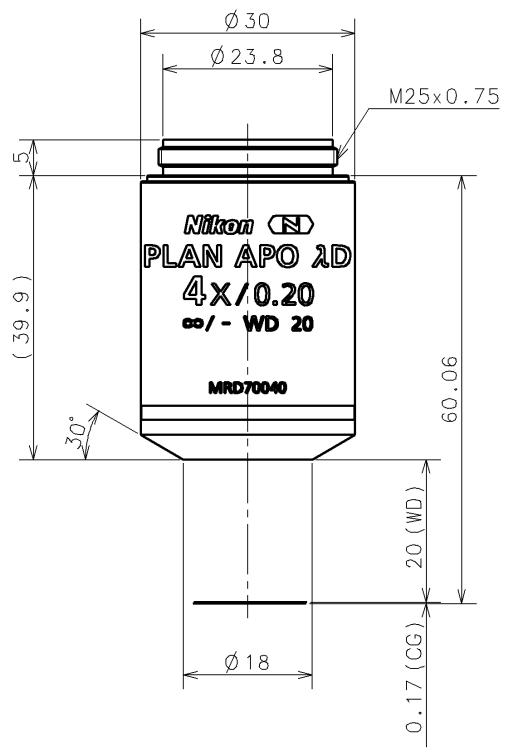
[View](#) **Certificate of Conformance:**

Product Details

- Ultra-Flat, High-Resolution Across a 25mm Field Number (FN)
- Advanced Chromatic Aberration Correction (UV-NIR)
- Versatile Compatibility with Multiple Microscopy Techniques

The Nikon CFI Plan Apochromat Lambda D objectives deliver ultra-flat, high-resolution imaging across a wide 25 mm FN, ensuring edge-to-edge clarity, which is ideal for digital imaging, image stitching, and high-content analysis. These objectives are engineered with advanced chromatic aberration correction from UV to NIR (405-850nm), delivering true-to-color images across multiple fluorescence channels without needing to change objectives, ensuring accurate multicolor imaging with minimal color fringing. Nikon CFI Plan Apochromat Lambda D Objectives offer versatile compatibility with a wide range of microscopy techniques, including brightfield, fluorescence, differential interference contrast (DIC), phase contrast, and polarization. Available in magnifications from 2X up to 100X, these objectives are easily integrable into existing microscope systems with Nikon standard M25 x 0.75 mounting threads. The bright images, large fields, and broad color fidelity make these objectives ideal for application in pharmaceuticals, high content screening, and live cell and fluorescence imaging.

Technical Information



;