

[See all 10 Products in Family](#)

4X DIN Achromatic Commercial Grade Objective



4X DIN Achromatic Commercial Grade Objective, #43-902

Stock **#43-902** **20+ In Stock**

⊖ 1 ⊕ **S\$154⁰⁰**

ADD TO CART

Volume Pricing	
Qty 1+	S\$154.00 each
Need More?	Request Quote

Product Downloads

General

Achromatic **Type:**

Finite Conjugate **Style:**

Physical & Mechanical Properties

26.00 **Length excluding Threads (mm):**

24 **Maximum Diameter (mm):**

Optical Properties

31.04	Effective Focal Length EFL (mm):
4X	Magnification:
0.10	Numerical Aperture NA:
18.8	Working Distance (mm):
44.8	Parfocal Length (mm):
N/A	Immersion Liquid:

Threading & Mounting

0.7965-36 TPI, 55° Whitworth	Mounting Threads:
------------------------------	-------------------

Environmental & Durability Factors

5 to 40	Operating Temperature (°C):
-20 to 60	Storage Temperature (°C):
45% to 85%	Operating Relative Humidity:

Regulatory Compliance

Compliant	RoHS 2015:
View	Certificate of Conformance:

Product Details

- Achromatic and Plan Designs
- Use with T- and C-Mounting Systems
- Ideal for OEM Applications

Commercial Grade Standard Microscope Objectives are designed for a wide variety of applications. These objectives are provided in both achromatic and plan designs. Using DIN standard, 0.7965" (20.1mm) dia. threads, 36 TPI, 55° Whitworth, these objectives will fit into most microscope and spatial filter assemblies. Commercial Grade Standard Microscope Objectives, used in conjunction with our [T- and C-mounting systems](#), are an ideal solution for OEM production use. These objectives are offered in 4X, 10X, 40X, and 100X magnifications.

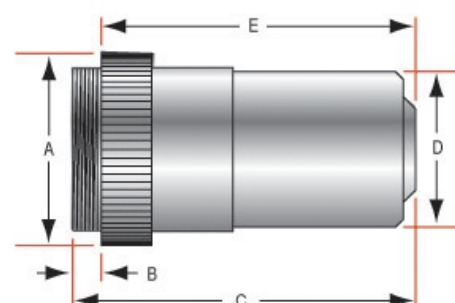
Note: 40X and 100X versions are spring loaded. 100X version is also oil immersion type.

Technical Information

Stock No.	A	B	C	D	E
#43-902	24	3.7	31	19	26
#43-903	24	3.7	43	19	40
#43-904	24	3.7	48.8	20	45.8
#43-905	24	3.7	48.8	20	45.8

#67-706	24	3.7	34	22	30
#43-907	24	3.7	47.6	22	44
#43-908	24	3.7	49	22	46
#43-909	24	3.7	48	22	46

Commercial Grade Standard Microscope Objectives



Units: mm

