

[See all 3 Products in Family](#)

## 4mm - 12mm Focal Length, Varifocal Video Lens



Varifocal Imaging Lenses



Stock #58-365 **5 In Stock**

⊖ 1 ⊕ S\$351<sup>00</sup>

**ADD TO CART**

### Volume Pricing

Qty 1+	S\$351.00 each
Need More?	<a href="#">Request Quote</a>

### Product Downloads

### General

Varifocal Lens **Type:**

### Physical & Mechanical Properties

50.30 **Length (mm):**

40.0 **Maximum Diameter (mm):**

Maximum Rear Protrusion (mm):

4.6

## Optical Properties

Field of View @ Min Working Distance (mm):

639 - 168

Horizontal Field of View, 1/2" Sensor:

93.6° - 31.2°

Focal Length Range (mm):

4-12

Working Distance (mm):

300 - ∞

Aperture (f/#):

f/1.2 - f/16

Lens Wavelength Range:

VIS

## Sensor

Maximum Sensor Format:

1/2"

## Threading & Mounting

Mount:

C-Mount

## Regulatory Compliance

Reach 174:

[Compliant](#)

Certificate of Conformance:

[View](#)

## Product Details

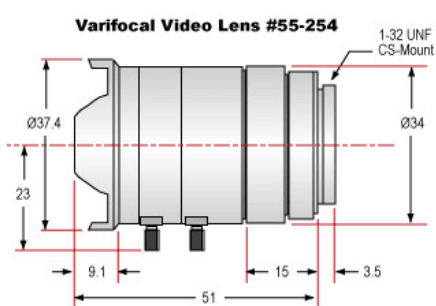
- Large Field of View
- C and CS-Mount Lenses

Varifocal Imaging Lenses provide a flexible solution to applications that previously would have required multiple fixed focal length lenses. Simply adjust through the indicated focal length range for the desired field of view within the specified working distance range, and then set the focus for the best image. Due to the variable focal length range, varifocal lenses are also known as vari-focal, variable-focus, or multi-focal lenses. Varifocal Imaging Lenses can select the focal length within the specified range, like zoom lenses, but unlike a zoom lens, focus adjustment is needed after setting of the focal length. They have a different, simplified optical and mechanical design that is more cost-efficient to produce than zoom lenses. The focal length adjustment is typically a middle or rear assembly of elements that slide back and forth, whereas the separate focus adjustment is typically a front cell movement.

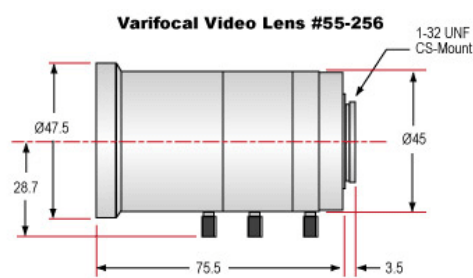
#57-680 is a high-resolution, low-distortion lens for MegaPixel cameras.

**Note:** CS-mount lenses are not compatible with C-mount cameras.

## Technical Information



Units: mm



Units: mm