

[See all 12 Products in Family](#)

4.8mm Color Corrected Schneider Compact VIS-NIR Lens



Schneider Compact VIS-NIR Lenses

Stock **#59-819** **1 In Stock**

⊖ 1 ⊕ **\$3,982⁰⁰**

ADD TO CART

| Volume Pricing | |
|----------------|-------------------------------|
| Qty 1+ | \$3,982.00 each |
| Need More? | Request Quote |

Product Downloads

General

Product Family:
Schneider Compact VIS-NIR Lenses

Type:
Fixed Focal Length Lens

Physical & Mechanical Properties

Iris Option:
Variable

Length (mm):
41.00

37.3 **Maximum Diameter (mm):**

37.5 **Outer Diameter (mm):**

134 **Weight (g):**

Optical Properties

95.0° **Horizontal Field of View, 1/2" Sensor:**

11.00 **Maximum Image Circle (mm):**

4.80 **Focal Length FL (mm):**

37 - ∞ **Working Distance (mm):**

f/1.8 - f/8 **Aperture (f/#):**

<-22 **Distortion (%):**

VIS-NIR Color Corrected **Lens Wavelength Range:**

Sensor

2/3" **Maximum Sensor Format:**

3.45 **Pixel Size (µm):**

Threading & Mounting

M62 x 0.75 **Filter Thread:**

C-Mount **Mount:**

Regulatory Compliance

[Compliant](#) **RoHS 2015:**

[View](#) **Certificate of Conformance:**

[Compliant](#) **Reach 233:**

Product Details

Lenses with M62 x 0.75 filter thread require [#59-825](#) filter thread adapter.

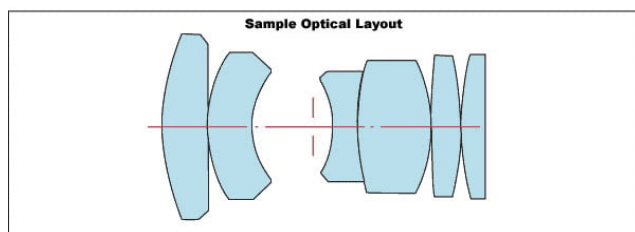
- Up to 4/3", C-Mount Lens
- Spectral Range of 400-1000nm with Color Corrected Options
- 4.8mm to 50mm Focal Length

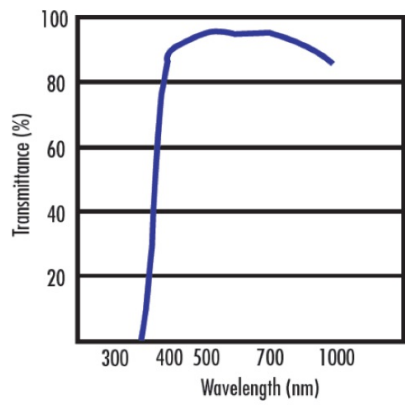
Schneider's Standard VIS-NIR lenses can accommodate up to a 4/3" sensor (22mm image circle) but will need to be refocused when switching between VIS and NIR wavelengths.

This series of lenses features a robust mechanical design, lockable focus, lockable iris, and filter mount threads, making them ideal for typical industrial settings. The optical design is an excellent match for high pixel depth cameras. Their excellent optical performance over the entire working distance range corresponds perfectly to the capabilities of high resolution sensors.

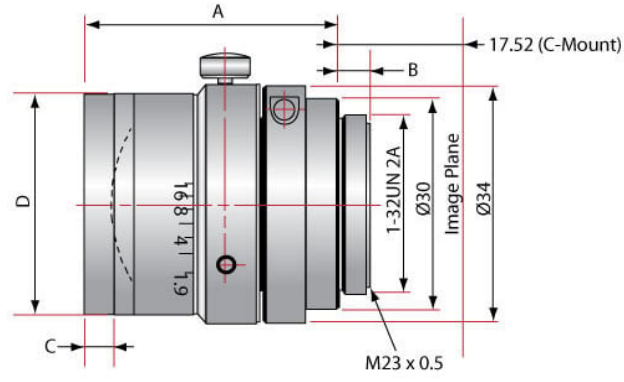
Note: Lenses with M62 x 0.75 filter thread require [#59-825](#) filter thread adapter.

Technical Information





Typical Transmission



| Stock No. | A | B | C | D |
|-----------|--------|--------|--------|--------|
| #59-819 | 41.0mm | 6.3mm | 2.8mm | 37.3mm |
| #64-764 | 40.9mm | 3.75mm | 2.5mm | 31.5mm |
| #56-533 | 32.4mm | 5.1mm | 0.9mm | 31.5mm |
| #56-534 | 42.7mm | 5.8mm | 1.2mm | 31.5mm |
| #56-535 | 33.4mm | 4.3mm | 12.4mm | 31.5mm |
| #56-536 | 36.9mm | 3.8mm | 8.2mm | 31.5mm |
| #56-537 | 34.7mm | 3.8mm | 2.6mm | 31.5mm |
| #59-820 | 74.0mm | 3.8mm | 4.3mm | 42mm |

| Stock No. | A | B | C | D |
|-----------|--------|-------|-------|--------|
| #59-821 | 46.1mm | 4.1mm | 0.3mm | 37.3mm |
| #59-822 | 40.9mm | 3.8mm | 2.5mm | 31.5mm |
| #59-823 | 34.7mm | 3.8mm | 2.6mm | 31.5mm |
| #59-824 | 36.9mm | 3.8mm | 8.2mm | 31.5mm |

