

108.0mm/4.25" Optic Dia., Optical Cell Kinematic Mount



Stock #57-872 **6 In Stock**

⊖ 1 ⊕ **\$1,463⁰⁰**

ADD TO CART

Volume Pricing

Qty 1-9	\$1,463.00 each
Qty 10-19	\$1,286.60 each
Qty 20-49	\$1,184.40 each
Need More?	Request Quote

Product Downloads

General

Adjustable - Tip-Tilt **Type:**

Circular **Type of Optics:**

5° **Range:**

4.625 x20 TPI Inner Diameter (inches):

Optic Holding Style:
[#57-871](#) Required

Physical & Mechanical Properties

Clear Aperture CA (inches):
4.06 ([#57-871](#))

Clear Aperture CA (mm):
103.1 ([#57-871](#))

Optical Centerline (mm):
85.9

Dimensions (inches):
5.75 x3.00 x6.25

Dimensions (mm):
146.1 x76.2 x158.8

Weight (lbs):
3.0

Construction:
Black Anodized Aluminum, Stainless Steel

Diameter of Compatible Optics (inches):
4.25

Optical Centerline (inches):
3.38

Max. Thickness of Compatible Optics (mm):
22.0 ([#57-871](#))

Adjustment Screw Pitch (inches):
0.015

Threading & Mounting

Size of Compatible Optics (mm):
108.0

Regulatory Compliance

RoHS 2015:
[Compliant](#)

Certificate of Conformance:
[View](#)

Product Details

- Robust Kinematic Mounts for Larger Diameter Optics
- Ball Pivot and Fine Pitch Screws Provide Pitch and Roll
- 50% Greater Resolution than Micrometer Adjustments

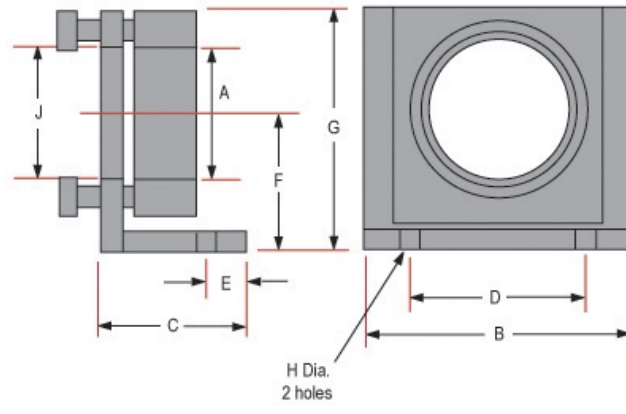
Optical Cell Kinematic Mounts provide highly stable kinematic movement with two axis tilt (pitch and roll) provided by a precise ball pivot adjustment and an orthogonal three-point suspension. Adjustment is made by three 64-pitch screws (two 64-pitch screws for 1-2" diameter model). For the 6" diameter model, adjustment is made by two 64-pitch screws for and with three 32-pitch screws for 8" up to 12.5" diameter models. Optical Cell Kinematic Mounts feature fine pitch screws, which permit 50% greater resolution than a micrometer. An angled base on the mount allows for stand-alone installation and mounting. These mounts have integral optic cell design allowing optics to be held undistorted.

Note: For mounting 12" diameter optics in our 12.5" Diameter Optical Mount, use the 12.5" to 12" Adapter Kit (#12-226). The Adapter Kit and 12.5" Diameter Optical Mount are offered together as #12-227.

Technical Information

Optic Diameter	A	B	C	D	E	F	G	H	I	J	K	Stock No.
1-2"	2.25-20 TPI	3.75	2.00	2.00	0.38	2.00	3.50	0.28	-	2.12	-	#53-964
3"	3.25-20 TPI	5.75	3.00	4.00	1.25	3.38	6.25	0.28	-	5.00	-	#53-965
4.25"	4.625-20 TPI	5.75	3.00	4.00	1.25	3.38	6.25	0.28	-	5.00	-	#57-872

1" - 4.25" Angled Optical Cell Mounts



Units: inches

4.25" Straight Optical Cell Mount



Units: inches

Optic Diameter	A	B	C	D	E	F	G	H	I	J	K	Stock No.
6"	6.187-32 TPI	8.00	6.00	5.00	5.00	4.50	8.00	0.28	5.75	6.00	1.19	#36-474
8"	8.06	12.00	7.00	10.00	6.00	6.25	11.50	0.28	7.62	9.00	1.60	#36-476
10"	10.06	16.00	8.00	12.00	6.00	8.00	15.00	0.53	9.58	12.50	1.75	#36-478
12.5"	12.56	16.00	8.00	12.00	6.00	8.00	15.00	0.53	12.08	12.50	2.13	#36-480

8" - 12.5" Angled Optical Cell Mounts



Units: inches