

TECHSPEC® 40mm, Side Drive, Standard Top, Metric Extended Micrometer



TECHSPEC® Crossed-Roller Bearing Linear Translation Stages (Standard-Top Model)



Stock #66-413 [CONTACT US](#)

⊖ 1 ⊕ **\$644⁰⁰**

ADD TO CART

Volume Pricing	
Qty 1-2	\$644.00 each
Qty 3+	\$562.24 each
Need More?	Request Quote

Product Downloads

General

Metric **Type:**

Physical & Mechanical Properties

Linear (X) **Type of Movement:**

Guide System:

30mm Standard-Top Stages - Center Drive



30mm Standard-Top Stages - Side Drive



40mm Standard-Top Stages - Center Drive



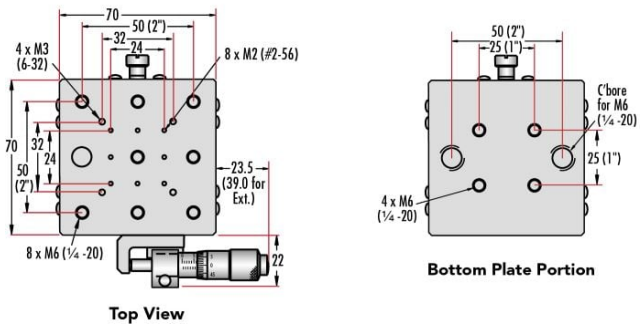
40mm Standard-Top Stages - Side Drive



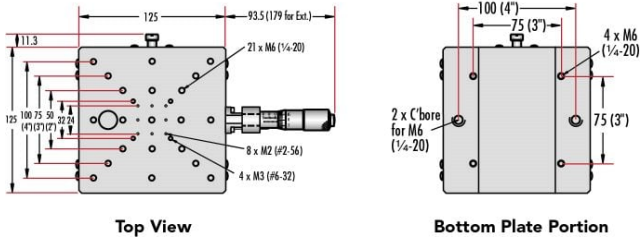
70mm Standard-Top Stages - Center Drive



70mm Standard-Top Stages - Side Drive



125mm Standard-Top Stages - Center Drive



125mm Standard-Top Stages - Side Drive

