

TECHSPEC® 40mm, Center Drive, Standard Top, Metric Micrometer Stage



Stock #66-409 **11 In Stock**

⊖ 1 ⊕ **\$613^{.20}**

ADD TO CART

Volume Pricing	
Qty 1-2	\$613.20 each
Qty 3+	\$534.80 each
Need More?	Request Quote

Product Downloads

General

Type:
Metric

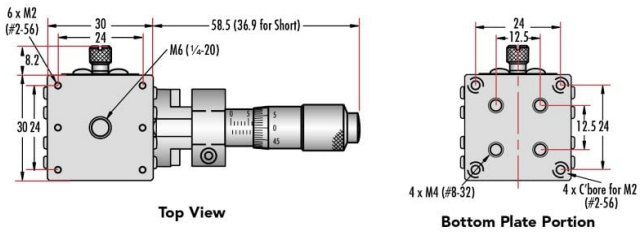
Physical & Mechanical Properties

Type of Movement:
Linear (X)

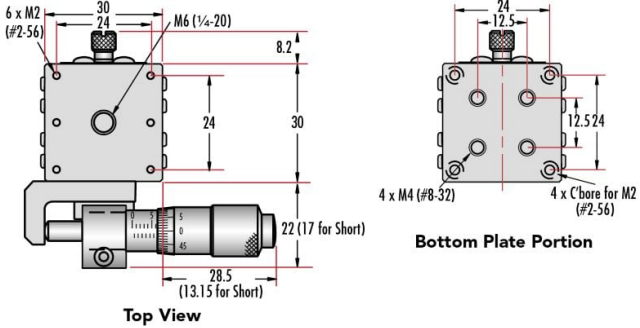
Guide System:
Crossed Roller Bearing

Drive Orientation:
Center Drive

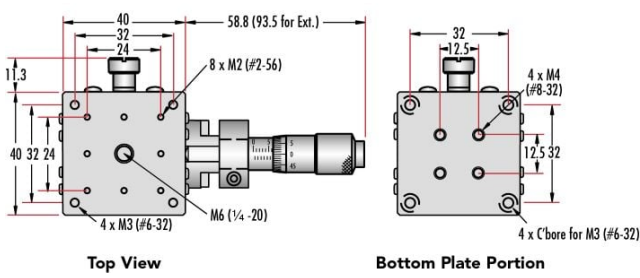
30mm Standard-Top Stages - Center Drive



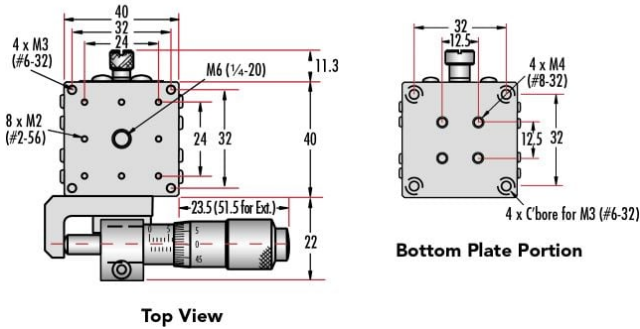
30mm Standard-Top Stages - Side Drive



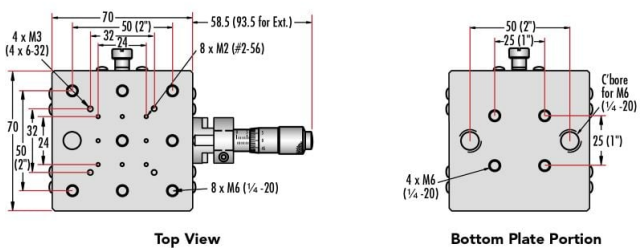
40mm Standard-Top Stages - Center Drive



40mm Standard-Top Stages - Side Drive



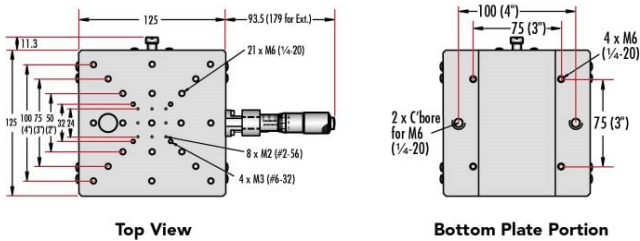
70mm Standard-Top Stages - Center Drive



70mm Standard-Top Stages - Side Drive



125mm Standard-Top Stages - Center Drive



125mm Standard-Top Stages - Side Drive

