

[See all 60 Products in Family](#)

TECHSPEC® 30mm, Side Drive, Standard Top, 0.5" Travel, Metric Micrometer



Stock #66-393 [CONTACT US](#)

- 1 + **\$613^{.20}**

ADD TO CART

Volume Pricing	
Qty 1-2	\$613.20 each
Qty 3+	\$534.80 each
Need More?	Request Quote

Product Downloads

General

Type:
Metric

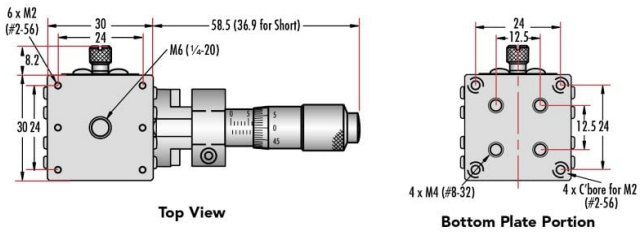
Physical & Mechanical Properties

Type of Movement:
Linear (X)

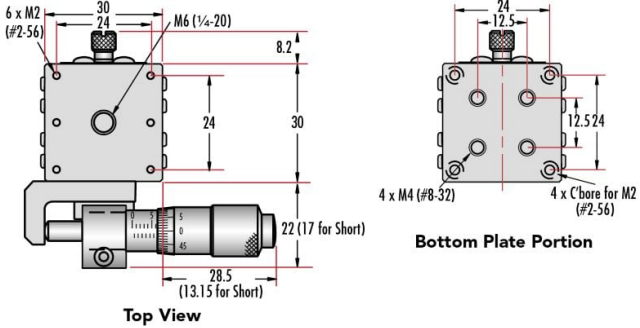
Guide System:
Crossed Roller Bearing

Drive Orientation:
Side Drive

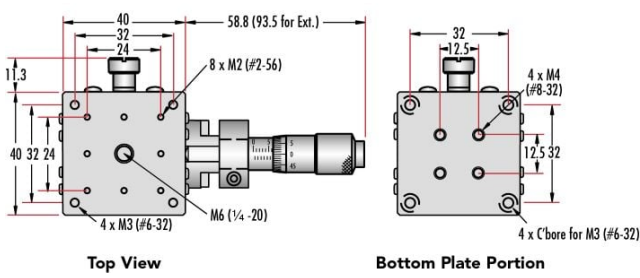
30mm Standard-Top Stages - Center Drive



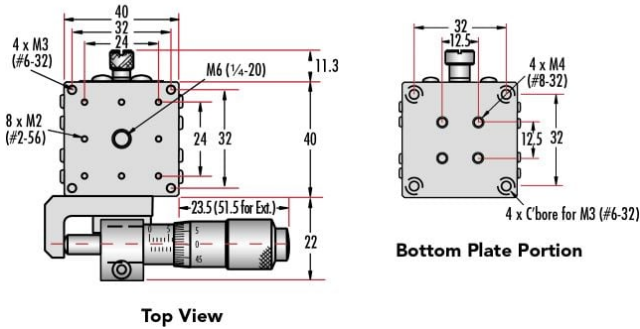
30mm Standard-Top Stages - Side Drive



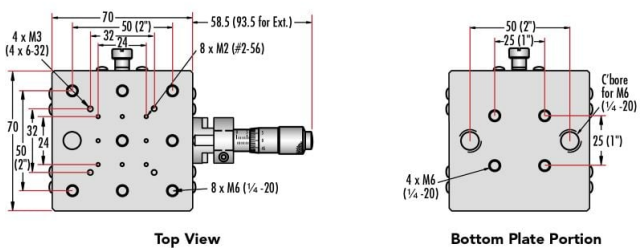
40mm Standard-Top Stages - Center Drive



40mm Standard-Top Stages - Side Drive



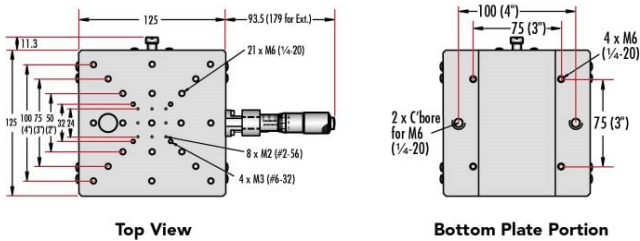
70mm Standard-Top Stages - Center Drive



70mm Standard-Top Stages - Side Drive



125mm Standard-Top Stages - Center Drive



125mm Standard-Top Stages - Side Drive

