

[See all 2 Products in Family](#)

TECHSPEC® 2" Offset, 2" OD Mount, 45° Mounting Adapter



2" Offset, 2" OD Mount, 45° Mounting Adapter

Stock **#59-002** **12 In Stock**

⊖ 1 ⊕ **\$58⁴⁵**

ADD TO CART

Volume Pricing	
Qty 1-9	\$58.45 each
Qty 10+	\$52.36 each
Need More?	Request Quote

Product Downloads

General

English **Type:**

Regulatory Compliance

Compliant **RoHS 2015:**

Compliant **Reach 224:**

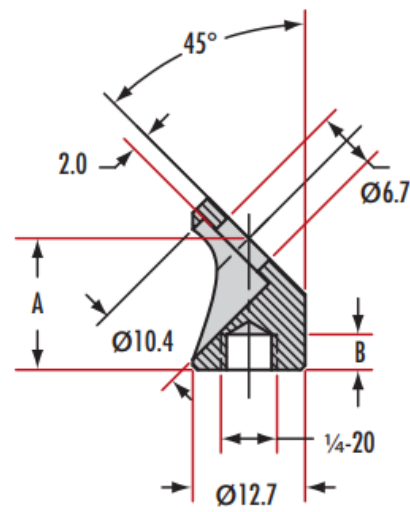
Product Details

- Fixed 45 Degree Mounting
- 3 Options for Different Offsets
- Aluminum Mount

An easy-to-use Adapter to hold any 1/4-20 tapped component at 45 degrees from a 1/2" (12.7mm) diameter Post. A socket head cap screw(SHCS) is included for the 1/4" SHCS counterbore and allows the mounted component to be rotated and fixed in position in the 45° plane.

Technical Information

Offset A	OD Mount B	Centerline Height C	D	E
1" (25.4mm)	1" (25.4mm)	0.646" (16.4mm)	20.9mm	5mm
2" (50.8mm)	2" (50.8mm)	1.293" (32.8mm)	37.3mm	8mm
2" (50.8mm)	4" (101.6mm)	0.586" (14.9mm)	19.5mm	4mm



Units: mm