

[See all 49 Products in Family](#)

**TECHSPEC® 25mm f/5.6, UCi Series Fixed Focal Length Lens**



25mm UCi Series Fixed Focal Length Lens



Stock #33-893 **12 In Stock**

⊖ 1 ⊕ **\$309<sup>00</sup>**

**ADD TO CART**

Volume Pricing	
Qty 1+	\$309.00 each
Need More?	<a href="#">Request Quote</a>

Product Downloads

**General**

UCi Series	<b>Product Family:</b>
Fixed Focal Length Lens	<b>Type:</b>
No	<b>IR Cut Filter:</b>

**Physical & Mechanical Properties**

Fixed	<b>Iris Option:</b>
31.50	<b>Length (mm):</b>
26.5	<b>Maximum Diameter (mm):</b>
26.5	<b>Outer Diameter (mm):</b>
38	<b>Weight (g):</b>
2.54	<b>Maximum Rear Protrusion (mm):</b>

## Optical Properties

60.8mm - 16.4°	<b>Horizontal Field of View @ Max Sensor Format:</b>
Horizontal: 59.6mm - 16.4° Vertical: 44.6mm - 12.3° Diagonal: 74.7mm - 20.4°	<b>Field of View at Max Sensor Format:</b>
60.8mm - 16.4°	<b>Horizontal Field of View, 1/1.8" Sensor:</b>
54.0mm - 14.6°	<b>Horizontal Field of View, 1/2" Sensor:</b>
48.9mm - 13.2°	<b>Horizontal Field of View, 1/2.5" Sensor:</b>
40.4mm - 11.0°	<b>Horizontal Field of View, 1/3" Sensor:</b>
30.3mm - 8.2°	<b>Horizontal Field of View, 1/4" Sensor:</b>
9.00	<b>Maximum Image Circle (mm):</b>
0.0103	<b>Numerical Aperture NA, Object Side:</b>
7 (5)	<b>Number of Elements (Groups):</b>
25.00	<b>Focal Length FL (mm):</b>
200 - ∞	<b>Working Distance (mm):</b>
f/5.6	<b>Aperture (f/#):</b>
λ/4 MgF <sub>2</sub>	<b>Coating:</b>
λ/4 MgF <sub>2</sub>	<b>Coating Specification:</b>
15.05	<b>Entrance Pupil Position (mm):</b>
29.11	<b>Object Space Principal Plane (mm):</b>
-12.34	<b>Image Space Principal Plane (mm):</b>
-0.15	<b>Maximum Distortion (%):</b>
-44.48	<b>Exit Pupil Position (mm):</b>
VIS	<b>Lens Wavelength Range:</b>

## Sensor

1/2.5"	<b>Optimized Sensor Format:</b>
1/1.8"	<b>Maximum Sensor Format:</b>
1.85	<b>Pixel Size (μm):</b>

## Threading & Mounting

N/A	<b>Filter Thread:</b>
C-Mount	<b>Mount:</b>

## Environmental & Durability Factors

	<b>Storage Temperature (°C):</b>
--	----------------------------------

Type of Ruggedization:  
Industrial (Fixed Aperture with Simplified Mechanics)

## Regulatory Compliance

[View](#)

Certificate of Conformance:

## Product Details

- Up to 1/1.8", C-Mount, S-Mount Lens
- Up to 12 MegaPixels, 1.85µm Pixel Size Sensors
- Instrumentation (UCi) versions of our UC Series Lenses with Streamlined Mechanical Designs and Fixed Apertures
- 4mm to 35mm Focal Length

TECHSPEC® UCi Series Fixed Focal Length Lenses utilize the same optics as the TECHSPEC UC Series Lenses and feature 4K resolution. These lenses are designed for small pixels  $\leq 2.2\mu\text{m}$  and offer a wide range of fixed apertures for a variety of applications. While optimized for 1/2.5" sensors, many focal length options can be used on sensors up to 1/1.8". TECHSPEC® UCi Series Fixed Focal Length Lenses are ideal for OEM applications that require small, robust, and lightweight imaging solutions.

**Note:** For adjustable aperture options, see our [TECHSPEC® UC Series Fixed Focal Length Lenses](#).

Edmund Optics has created a family of high-performance ultra-compact optical designs (the UC Series family) and developed 3 customized optomechanical solutions targeted for specific applications. These lens sub-families utilize the same optics as the UC Series lenses providing the same optical performance in a variety of optomechanical solutions to meet your application requirements:

**UC Series:** Features locking cam focus and iris adjustment in an ultra-compact design and is the most adjustable version of these optical designs; they are the typical high-quality machine vision lenses.

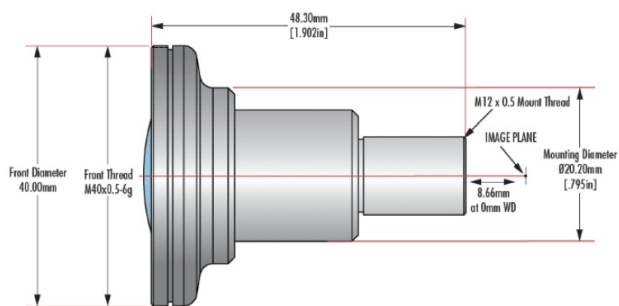
**UCi Series:** Simplified mechanics featuring fixed apertures with compact housing. [Industrial Ruggedization](#) for reduced size, cost, and locked focus.

**UCr Series:** All optics glued in place and a locking C-clamp focus ring. [Stabilized Ruggedization](#) for reduced pixel shift and improved focus stability.

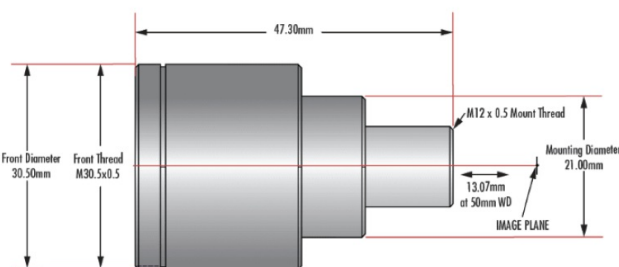
**UCw Series:** Waterproof, designed to meet IEC [Ingress Protection](#) Code IPX7 to withstand exposure to water up to 1 meter depth for 30 minutes.

## Technical Information

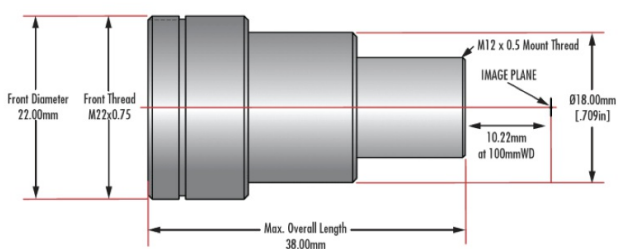
### 4mm Focal Length



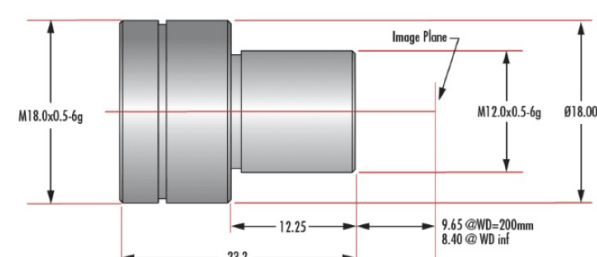
### 6mm Focal Length



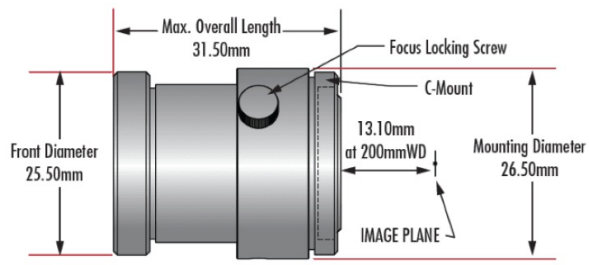
### 12mm Focal Length



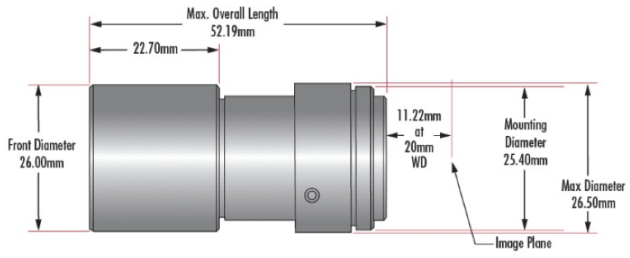
### 16mm Focal Length



### 25mm Focal Length



### 35mm Focal Length



## Compatible Cameras

;