

[See all 16 Products in Family](#)

TECHSPEC® 25mm Dia. x 30mm FL, VIS Coated, Hybrid Asphere



TECHSPEC® Plastic Hybrid Aspheric Lenses

Stock #66-003 CLEARANCE **20+ In Stock**

[Other Coating Options](#)

⊖ 1 ⊕ **S\$106⁴⁰**

ADD TO CART

Volume Pricing	
Qty 1+	S\$106.40 each
Need More?	Request Quote

Product Downloads

General

Aspheric Lens Type:

Physical & Mechanical Properties

25.00 +0.00/-0.10 Diameter (mm):

23.00 Clear Aperture CA (mm):

3.6 Edge Thickness ET (mm):

7.30 ±0.10	Center Thickness CT (mm):
Protective as needed	Bevel:
Convex	Shape of Back Surface:

Optical Properties

30.00 @ 587.6nm	Effective Focal Length EFL (mm):
0.42	Numerical Aperture NA:
25.82	Back Focal Length BFL (mm):
Zeonex E48R	Substrate: <input type="checkbox"/>
587.6	Aspheric Design Wavelength (nm):
BBAR (425-675nm)	Coating:
$R_{avg} \leq 0.75\%$ @ 425 - 675nm	Coating Specification:
60-40	Surface Quality:
1.2	f##:
51.79	Abbe Number (v_d):
1.531	Index of Refraction (n_d):
120	Radius R_2 (mm):
425 - 675	Wavelength Range (nm):
Infinite	Conjugate Distance:
587.60	Focal Length Specification Wavelength (nm):

Environmental & Durability Factors

-30 to +70	Operating Temperature (°C):
------------	------------------------------------

Regulatory Compliance

Compliant	RoHS 2015:
Compliant	Reach 209:
View	Certificate of Conformance:

Product Details

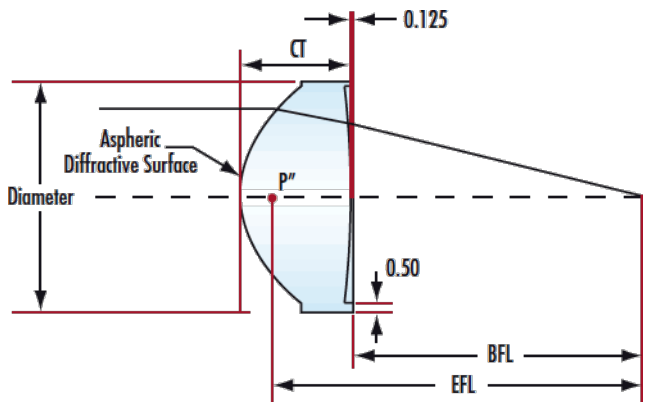
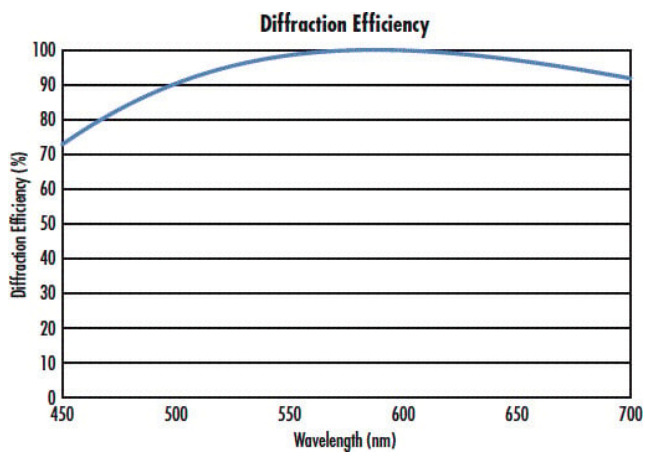
- Color-Corrected Plastic Aspheres
- Diffractive Surface Minimizes Chromatic Aberration
- Low-Cost, Molded Design

TECHSPEC® Plastic Hybrid Aspheric Lenses are molded aspheric lenses with diffraction-limited designs that eliminate chromatic aberrations caused by broadband light sources. These hybrid aspheric lenses are ideal for imaging or ophthalmic applications, or for use with tunable lasers or broadband or multispectral illumination sources. The [aspheric lens](#) eliminates spherical aberration, while the diffractive surface features a negative optical dispersion to yield excellent color correction.

TECHSPEC Plastic Hybrid Aspheric Lenses are similar in performance, but offer several advantages to our [TECHSPEC Aspherized Achromatic Lenses](#). Hybrid aspheric lenses feature all-plastic, monolithic designs that are much lighter than comparable aspherized achromatic lenses. These optical lenses are also available in higher numerical apertures. However, plastic hybrid aspheric lenses are limited by the inherent diffraction efficiency of the aspheric surface, yielding lower overall transmission than comparable aspherized achromatic lenses.

These lenses won the 2011 Prism Award for Optics and Optical Components.

Technical Information



Compatible Mounts