

[See all 5 Products in Family](#)

## 220mm x 160mm Lab Jack Universal Breadboard Adapter



#12-797: 220mm x 160mm Lab Jack Universal Breadboard Adapter

Stock **#12-797** **1 In Stock**

⊖ 1 ⊕ **S\$145<sup>00</sup>**

**ADD TO CART**

Volume Pricing	
Qty 1+	<b>S\$145.60</b> each
Need More?	<a href="#">Request Quote</a>

### Product Downloads

### General

**Included Hardware:**  
(4) 1/4-20, 1/2" Long Screws; (4) M6 x 1.0, 12mm Long Screws

### Physical & Mechanical Properties

Length (mm):

220.00

Thickness (mm):

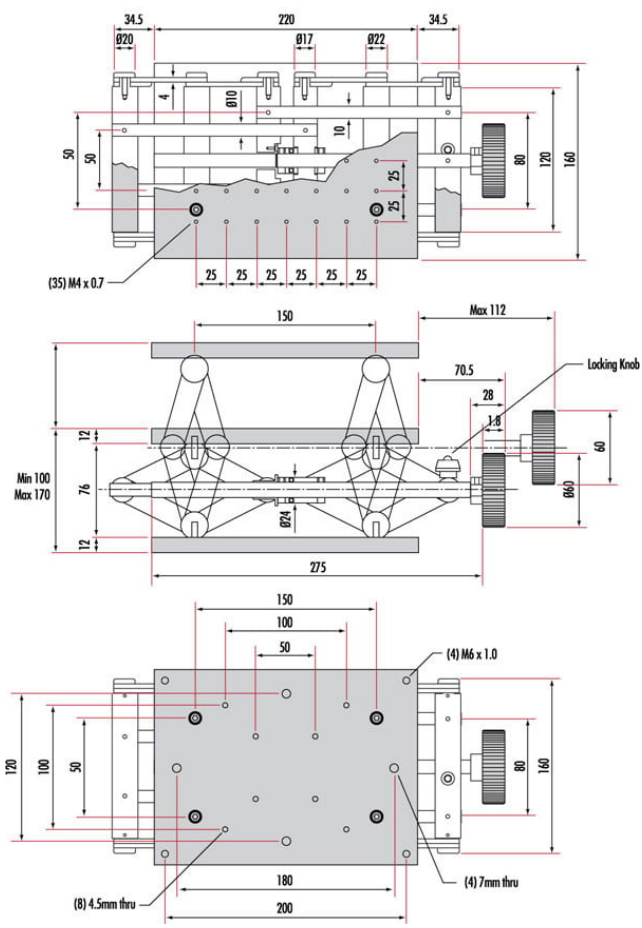
8.00

Width (mm):

220.00



#62-009 220MM X 160MM METRIC LAB JACK



#56-336 132mm x 80mm Lab Jack

