

1.5" Straight Mirror Mount



Mirror Mount

Stock #33-497 **20+ In Stock**

⊖ 1 ⊕ **\$\$120⁰⁰**

ADD TO CART

Volume Pricing	
Qty 1+	\$\$120.40 each
Need More?	Request Quote

Product Downloads

General

Adjustable - Tip-Tilt **Type:**

Square or Rectangular **Type of Optics:**

1.5" Straight **Type of Mount:**

Physical & Mechanical Properties

0.3 **Weight (lbs):**

Construction:
Black Anodized Aluminum, Stainless Steel

Fine Tilt Angle (°):
20

Resolution (inches):
0.015

Fine Tip Angle (°):
20

Adjustment Screw Pitch (inches):
0.015

Centerline Height (inches):
0.75

Threading & Mounting

Size of Compatible Optics (mm):
3.0 - 38.1

Compatible Post:
¼-20, 5/16, 10-32

Mounting Plate Size (inches):
1.5 Sq.

Regulatory Compliance

RoHS 2015:
[Compliant](#)

Reach 224:
[Compliant](#)

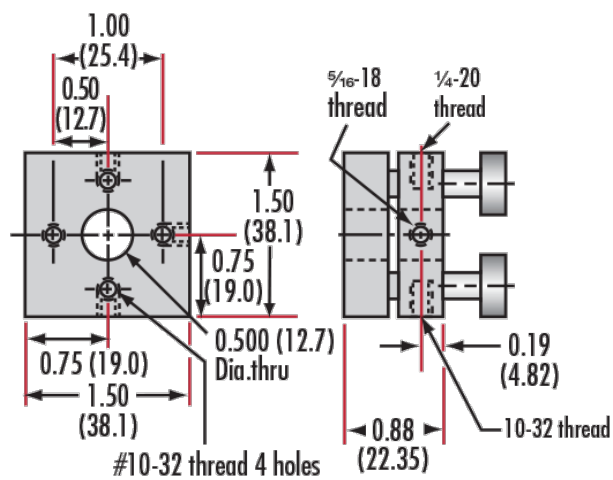
Certificate of Conformance:
[View](#)

Product Details

- 1.0" or 1.5" Square Mounting Surface
- Two Fine Adjustment Screws (64-Pitch) Allow for Tilting
- Models with Pre-Mounted M4 Mirror Available
- Straight or Angle Configuration Options Available

Small Mirror Mounts are available with a 1.0" or 1.5" square mounting surface. These optical mirror mounts feature two stainless steel fine-resolution (64-pitch) mounting screws that provide precise tilting of the mounting surface in two directions. These optical mirror mounts are suitable for mounting to most post mounts. Small Mirror Mounts are constructed of black anodized aluminum and each type has an option for an included fixed mirror. These mounts feature mounting holes in various sizes, including ¼-20 and 10-32.

Technical Information



#33-497