

## 1.5" Angle Mirror Mount with Mirror



Angle Mount with Mirror

Stock **#33-500** **5 In Stock**

⊖ 1 ⊕ **\$\$186<sup>00</sup>**

**ADD TO CART**

Volume Pricing	
Qty 1+	<b>\$\$186.20</b> each
Need More?	<a href="#">Request Quote</a>

### Product Downloads

#### General

Adjustable - Tip-Tilt **Type:**

Square or Rectangular **Type of Optics:**

Fixed mirror included **Note:**

1.5" Angle **Type of Mount:**

#### Physical & Mechanical Properties

0.3 **Weight (lbs):**

**Construction:**  
Black Anodized Aluminum, Stainless Steel

20 **Fine Tilt Angle (°):**

0.015 **Resolution (inches):**

20 **Fine Tip Angle (°):**

0.015 **Adjustment Screw Pitch (inches):**

1.25 **Centerline Height (inches):**

25 x 35 **Pre-Mounted Mirror Size (mm):**

## Threading & Mounting

3.0 - 38.1 **Size of Compatible Optics (mm):**

1.5 Sq. **Mounting Plate Size (inches):**

## Regulatory Compliance

**RoHS 2015:**  
[Compliant](#)

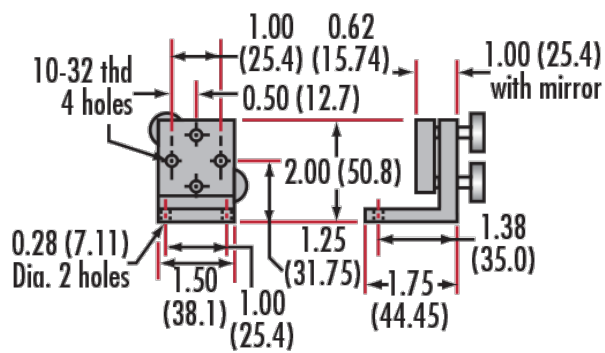
**Certificate of Conformance:**  
[View](#)

## Product Details

- 1.0" or 1.5" Square Mounting Surface
- Two Fine Adjustment Screws (64-Pitch) Allow for Tilting
- Models with Pre-Mounted M4 Mirror Available
- Straight or Angle Configuration Options Available

Small Mirror Mounts are available with a 1.0" or 1.5" square mounting surface. These optical mirror mounts feature two stainless steel fine-resolution (64-pitch) mounting screws that provide precise tilting of the mounting surface in two directions. These optical mirror mounts are suitable for mounting to most post mounts. Small Mirror Mounts are constructed of black anodized aluminum and each type has an option for an included fixed mirror. These mounts feature mounting holes in various sizes, including 1/4-20 and 10-32.

## Technical Information



#33-499