

[See all 20 Products in Family](#)

TECHSPEC® 15mm, VIS 0° Coated, Penta Prism



Stock **#48-597** [CONTACT US](#)

- 1 + **\$152^{.00}**

ADD TO CART

| Volume Pricing | |
|----------------|-------------------------------|
| Qty 1-5 | \$152.60 each |
| Qty 6-25 | \$121.80 each |
| Qty 26-49 | \$114.80 each |
| Need More? | Request Quote |

Product Downloads

General

Penta Prism **Type:**

Physical & Mechanical Properties

15.00 **Length (mm):**

±0.10 **Dimensional Tolerance (mm):**

Protective as needed **Bevel:**

15.00 **Length of Legs (mm):**

Optical Properties

MS 0° & Aluminized **Coating:**

N-BK7 **Substrate:**

60-40 **Surface Quality:**

Right-Handed **Image Orientation:**

Coating Specification:
Entrance/Exit Faces: $R_{avg} \leq 0.4\%$ @ 425 - 675nm
Reflecting Surfaces: $R_{avg} > 85\%$ @ 400 - 700nm
w/Black Overpaint

90 **Ray Deviation (°):**

425 - 675 **Wavelength Range (nm):**

Damage Threshold, By Design:
Entrance & Exit Faces: 5 J/cm² @ 532nm, 10ns
Reflecting Surfaces: 0.3 J/cm² @ 532 & 1064nm,
10ns

±5 **Beam Deviation Tolerance (arcmin):**

1.00 **Power (fringes) @ 632.8nm:**

0.25 **Irregularity (fringes) @ 632.8nm:**

Regulatory Compliance

Compliant **RoHS 2015:**

Compliant **Reach 223:**

View **Certificate of Conformance:**

Need different specs or modifications?

Edmund Optics offers comprehensive custom manufacturing services for optical and imaging components tailored to your specific application requirements. Whether in the prototyping phase or preparing for full-scale production, we provide flexible solutions to meet your needs. Our experienced engineers are here to assist—from concept to completion.

Our capabilities include:

- Custom dimensions, materials, coatings, and more
- High-precision surface quality and flatness
- Tight tolerances and complex geometries
- Scalable production—from prototype to volume

Learn more about our [custom manufacturing capabilities](#) or submit an inquiry [here](#).

Product Details

- Ray Deviation of 90°
- Right Handed Image
- Optical Tool for Defining a Right Angle
- Additional [Penta Prism](#) Options Available

TECHSPEC® N-BK7 Penta Prisms are five-sided prisms featuring a ray deviation of 90° and a right-handed image. The reflecting surfaces are aluminized. Slight movement of the prism does not affect the true right angle at which light rays are reflected, making a penta prism the ideal optical tool for defining a right angle in an optical system. TECHSPEC® N-BK7 Penta Prisms are made from precision N-BK7 for use in a variety of visible light applications. These prisms are offered with a VIS 0° or MgF2 coating, in a variety of sizes.

Technical Information

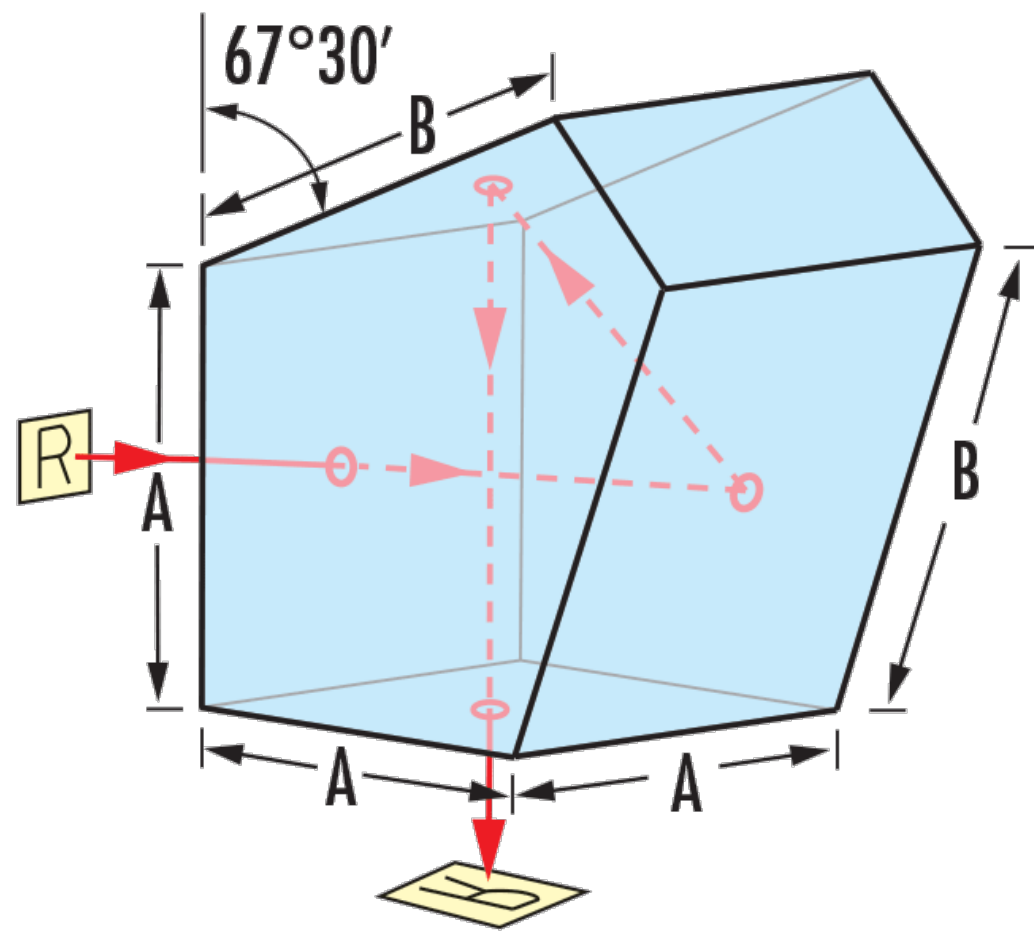


Penta Prism Ray Path



Penta Prism Tunnel Diagram

| Stock No. | Coating | Dimensions | |
|-----------|------------------|------------|-------|
| | | A | B |
| #85-159 | MS 0° | 0.50 | 0.60 |
| #85-160 | MS 0° | 1.00 | 1.20 |
| #45-112 | MgF ₂ | 5.00 | 6.10 |
| #48-595 | MS 0° | | |
| #32-030 | MgF ₂ | 10.00 | 11.95 |
| #48-596 | MS 0° | | |
| #43-502 | MgF ₂ | 15.00 | 15.96 |
| #48-597 | MS 0° | | |
| #31-051 | MgF ₂ | 20.00 | 21.65 |
| #48-598 | MS 0° | | |
| #42-779 | MgF ₂ | 25.00 | 27.90 |
| #47-458 | MgF ₂ | | |
| #48-599 | MS 0° | 30.00 | 32.47 |
| #45-073 | MgF ₂ | | |
| #48-600 | MS 0° | 35.00 | 37.88 |
| #45-402 | MgF ₂ | | |
| #48-601 | MS 0° | 40.00 | 43.30 |
| #45-674 | MgF ₂ | | |
| #48-602 | MS 0° | 45.00 | 48.71 |
| #45-675 | MgF ₂ | | |
| #48-603 | MS 0° | 50.00 | 54.12 |
| #45-676 | MgF ₂ | | |
| #47-459 | MgF ₂ | | |
| #48-604 | MS 0° | | |



;