

[See all 5 Products in Family](#)

15mm Dia. x 22.5mm FL, Commercial Grade, Plano-Convex Lens



Stock #23-083 CLEARANCE **20+ In Stock**

S\$28^{.70}

ADD TO CART

| Volume Pricing | |
|----------------|-------------------------------|
| Qty 1+ | S\$28.70 each |
| Need More? | Request Quote |

Product Downloads

General

Plano-Convex Lens **Type:**

Physical & Mechanical Properties

15.00 +0.00/-0.10 **Diameter (mm):**

6.00 **Centering (arcmin):**

1.39 **Edge Thickness ET (mm):**

Clear Aperture CA (mm):

Optical Properties

Effective Focal Length EFL (mm):

22.50

Back Focal Length BFL (mm):

20.37

Coating:

MgF₂ (400-700nm)

Coating Specification:

R_{avg} ≤ 1.75% @ 400 - 700nm

Substrate:

N-SK18

Focal Length Tolerance (%):

±1

Radius R₁ (mm):

14.37

f#:

1.5

Numerical Aperture NA:

0.33

Regulatory Compliance

Certificate of Conformance:

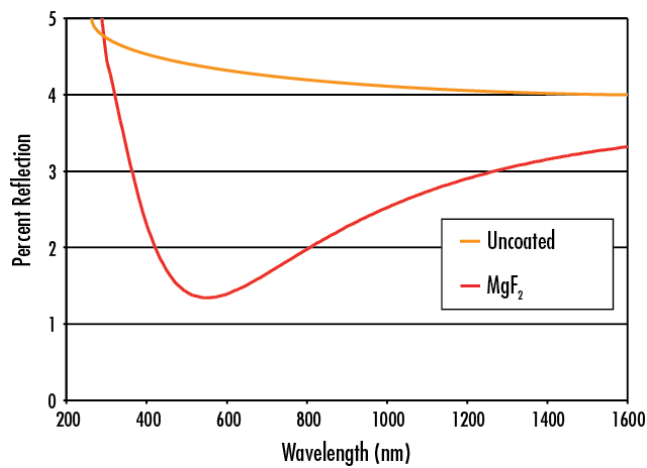
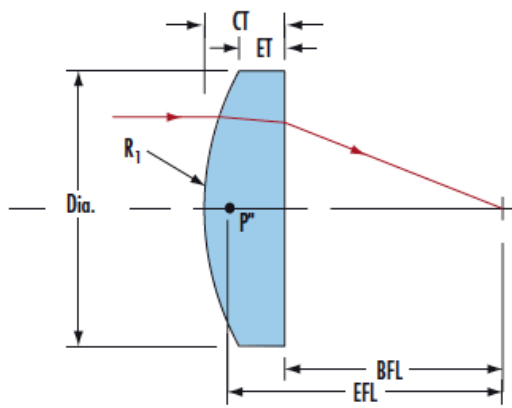
[View](#)

Product Details

- Feature Standard Designs and Specifications
- Also Available [Uncoated](#)
- For More Options, View [Precision Quality Plano-Convex \(PCX\) Lenses](#)

Plano convex lenses (PCX) have one flat and one outward curving face and a positive focal length. They are ideal for collecting and focusing light in imaging applications. They are also useful in a variety of applications involving emitters, detectors, lasers, and fiber optics. MgF₂ anti-reflection coating offers improved transmission in the visible spectrum. Commercial Grade MgF₂ Coated Plano-Convex (PCX) Lenses offer commercial quality, at an affordable price.

Technical Information



Coating Curves